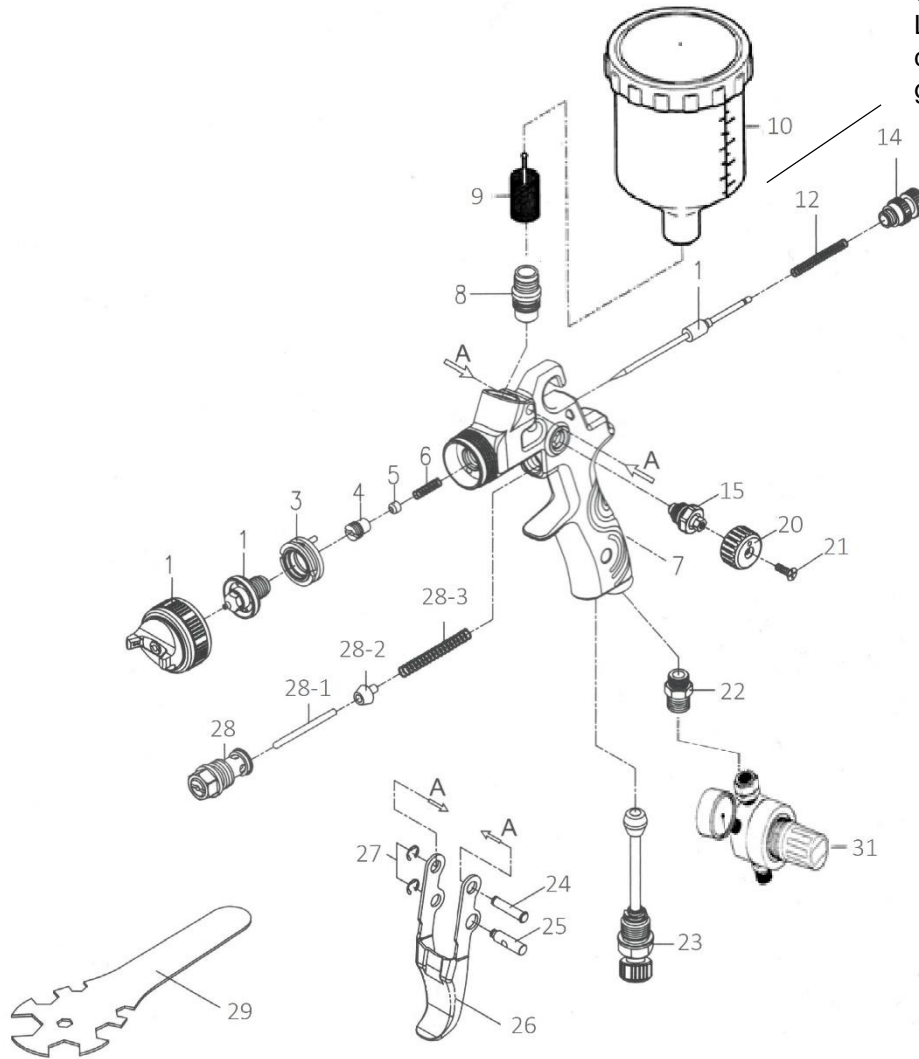


A-601

Optional:
L015-848 125ml adapter to connect this cup to the larger guns such as the A910 gravity.



Pos.	Part nos.	Description	Qty.
L015-031 A-601 HVLV Mini Gravity			
1	L016-101	Needle/seat/cap kit 0.5	opt
1	L016-102	Needle/seat/cap kit 0.8	opt
1	L016-103	Needle/seat/cap kit 1.0	1
1	L016-104	Needle/seat/cap kit 1.2	opt
3	L016-106	Air distribution ring	1
4	L015-716	Packing screw	1
5	L015-717	Packing	1
6	L015-718	Spring	1
8	L015-720	Cup connector	1
9	L015-683	Hopper strainer	opt
	L015-684	Hopper strainer (pak of 5)	opt
10	L015-721	Gravity cup with lid (nylon 125cc)	1
	L015-847	Gravity cup with lid (Metal 125cc)	opt
	L015-862	Seal for above 125cc alu cup	opt
	L015-848	Adapter to attach 125cc to larger guns.	
12	L015-724	Spring	1
14	L016-108	Fluid control knob	1
15	L016-109	Fan adjustment	1

Pos.	Part nos.	Description	Qty.
20	L015-732	Fan control knob	1
21	L015-733	Screw	1
22	L015-539	Air inlet fitting	1
23	L015-734	Air flow control	1
24	L015-736	Trigger pin upper	1
25	L015-737	Trigger pin lower	1
26	L015-738	Trigger	1
27	L015-550	C-Clip	2
28	L015-739	Air valve assembly	1
28-1	L015-740	Shaft	1
28-2	L015-741	Valve cone	1
28-3	L015-742	Valve Spring	1
29	L015-746	Wrench	1
31	L015-748	Mini regulator with guage	1
	L015-749	Mini Gauge 0-150 1/8 back	

Seal kit # L016-110