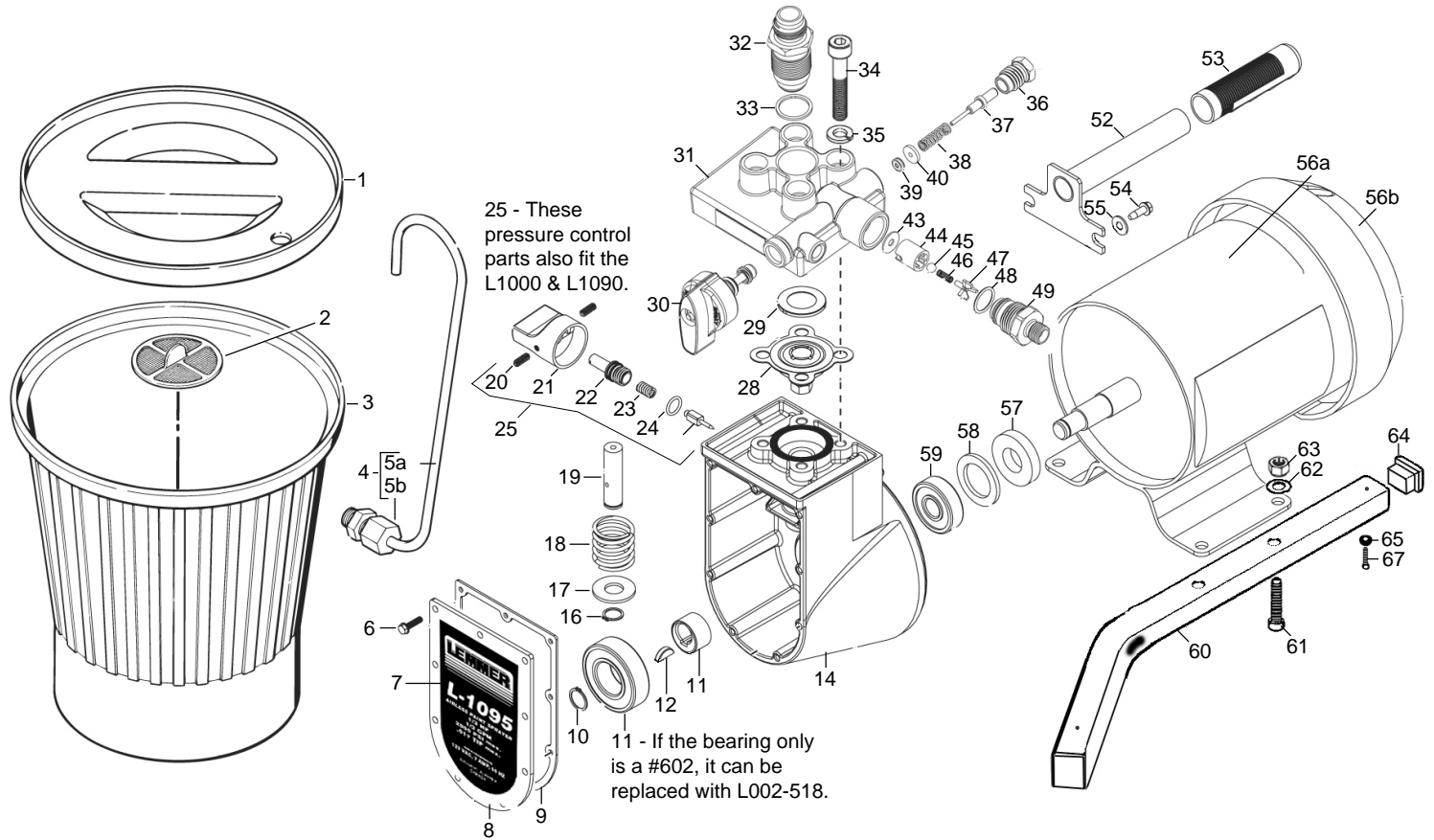


L-1095



Pos.	Part nos.	Description	Qty.
	L004-005	L-1095 airless paint sprayer	
1	L004-620	Cover, hopper	1
2a	L004-501	Filter screen, fine (standard)	1
2b	L004-621	Filter screen, coarse	1
3	L004-502	Hopper	1
4	L004-505	Return tube assembly (incl #5a & 5b)	1
5a	L004-504	Return tube	1
5b	L004-503	Fitting	1
6	L004-541	Screw	9
7	L004-597	Decal, L1095	1
8	L004-622	Hydraulic cover	1
9	L004-623	Gasket	1
10	L004-535	Retaining ring	1
11	L004-604	Eccentric sleeve and bearing ass'y	1
12	L004-554	Shaft key	1
14	L004-624	Hydraulic housing ass'y (incl #57-59)	1
		Oil return tube (not shown)	1
16	L004-543	Retainer	1
17	L004-609	Piston washer	1
18	L004-542	Piston spring	1
19	L004-625	Hydraulic piston	1
20	L004-575	Set screw	2
21	L004-573	Pressure control knob	1
22	L004-626	Valve stem	1
23	L004-627	Pressure regulating spring	1
24	L004-628	O-ring	1
25	L004-629	Pressure valve needle assembly	1
28	L004-527	Diaphragm	1
29	L004-526	Diaphragm ring	1
30	L004-632	PRIME/SPRAY valve assembly	1
31	L004-633	Paint pump	1
32	L004-517	Inlet valve assembly (incl. #33)	1

Pos.	Part nos.	Description	Qty.
33	L004-514	Sealing washer, nylon	1
34	L004-636	Socket screw	4
35	L004-637	Lock washer	4
36	L004-638	Pusher body	1
37	L004-639	Pusher stem assembly	1
38	L004-640	Pusher spring	1
39	L004-641	Seal	1
40	L004-642	Pusher washer	1
43	L004-643	Outlet seal	1
44	L004-644	Ball seat	1
45	L004-521	Ball	1
46	L004-520	Outlet spring	1
47	L004-645	Ball guide	1
48	L004-646	O-ring	1
49	L004-647	Outlet fitting	1
52	L004-648	Handle assembly	1
53	L004-649	Handle grip	1
54	L004-650	Screw	2
55	L004-651	Washer	2
56a	L004-652	Motor (incl. #56b,56c,56d & cord)	1
56b	L006-572	Fan cover	1
56c	L004-653	Fan (not shown)	1
56d	L006-568	On/Off switch (not shown)	1
57	L004-557	Seal	1
58	L004-654	Seal	1
59	L004-556	Ball bearing	1
60	L004-655	Bent leg (each)	2
61	L004-656	Carriage bolt	4
62	L002-817	Washer	4
63	L080-676	Lock nut	4
64	L075-152	Black end cap	4
65	L004-546	Rubber bumper	4
66	L050-599	Screw	4