

PARTS LIST & DIAGRAM

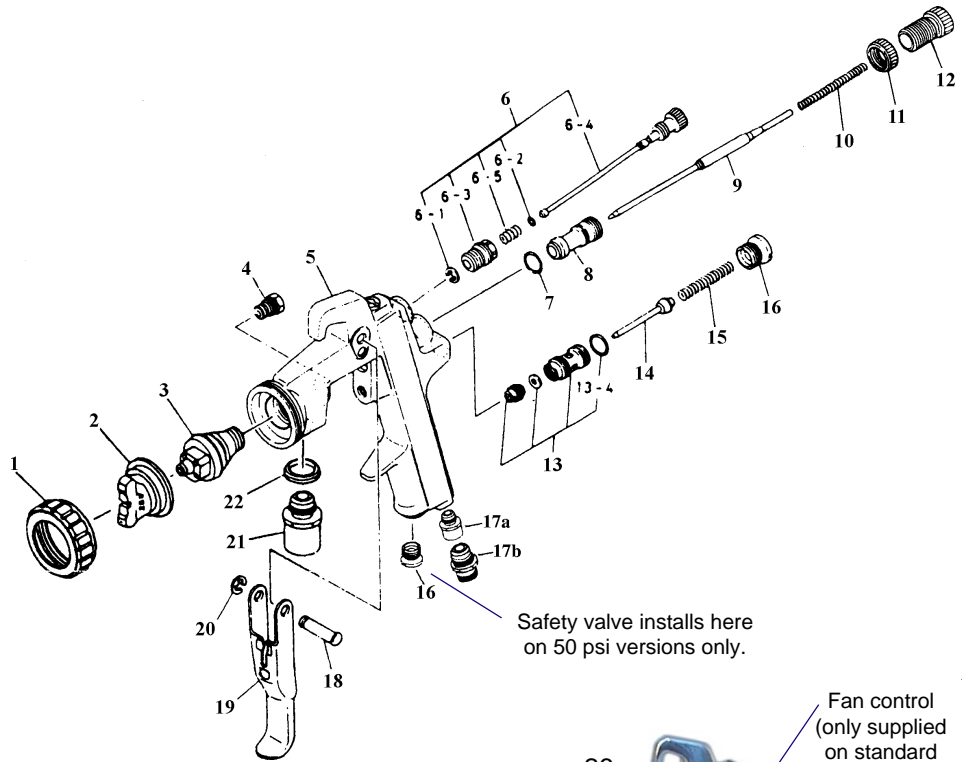


A-460/RP-460 HD INTERNAL MIX SPRAY GUN

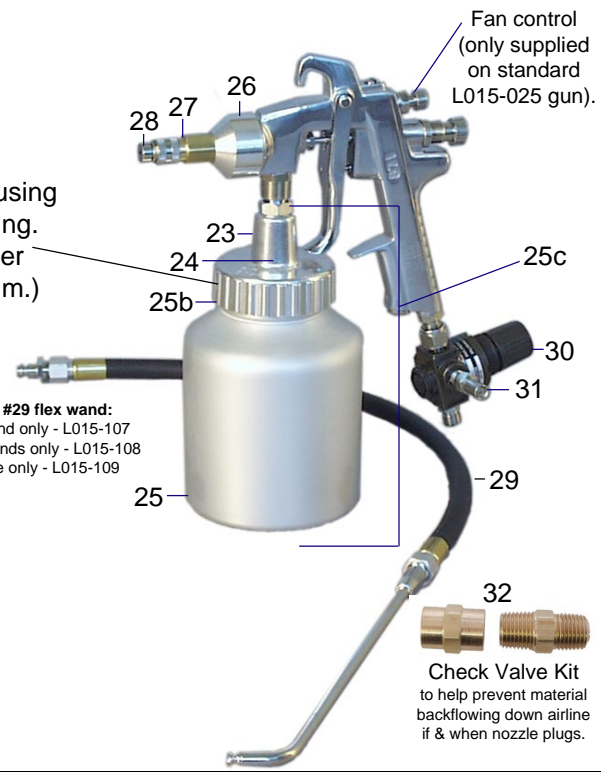
Pos.	Part nos.	Description	Qty.
	L015-025	A-460 internal mix gun	
	L015-026	RP-460HD internal mix gun	
	L015-200	A-460 kit	
	L015-201	RP-460HD kit with wands	
	L015-210	RP-460HD pressure feed gun	
1	L015-250	Retaining ring	1
2	L015-251	Air cap, internal mix	1
3	L015-252	Nozzle	1
4	L015-253	Packing	1
5	L015-254	Gun body	1
6	L015-278	Plug, RP-460	1
	L015-255	Fan control, A-460	opt
7	L015-256	O-ring	1
8	L015-257	Needle guide	1
9	L015-258	Needle	1
10	L015-259	Needle spring	1
11	L015-260	Lock nut	1
12	L015-261	Needle adjuster	1
13	L015-262	Air valve seat ass'y	1
14	L015-263	Air valve cone	1
15	L015-264	Spring	1
16	L015-265	Cap (125 psi)	1
	L015-277	Adapter for safety valve	opt
	L011-158	Safety valve 50-60psi	opt
17a	L015-284	Adapter, male to 1/4F	1
17b	L033-179	Fitting, 125 psi ver (CV)	1
	L015-820	Fitting, 50 psi ver (nonV)	1
18	L015-267	Trigger axle	1
19	L015-268	Trigger	1
20	L015-269	C-clip	1
21	L015-270	Fluid inlet (container)	1
	L015-276	Fluid inlet (3/8 hose)	opt
22	L015-271	Seal	1
23	L015-280	Lid ass'y (125 psi)	1
	L015-272	Lid ass'y (50 psi)	opt
24	L015-281	Tube, 23.5cm (125 psi)	1
	L015-273	Tube, 20.7cm (50 psi)	opt
25	L015-283	Container (125 psi)	1
	L015-274	Container (50 psi)	opt
25b	L015-282	Gasket 38mmOD(125psi)	1
	L015-275	Gasket 63mmOD (50 psi)	opt
25c	L015-279	Cont.ass'y compl(125 psi) (incl. pos# 23,24,25,25b)	1

Accessories:

26	L015-139	Rust proof adapter	1
27	L015-155	Quick coupler	1
28	L015-142	Round nozzle	1
29	L015-143	HD flex wand	1
30	999086	Air regulator	1
31	L080-635	Safety valve, 50psi	opt
32	L033-178	Check valve kit	opt
	L015-290	Manual, A-460 gun	1



Caution!
 Maximum 125 PSI for guns using container with 28mm opening.
 (Guns with 60mm container opening are 50 psi maximum.)



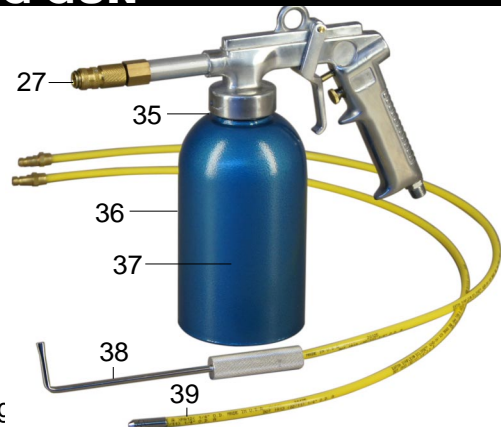
Parts for #29 flex wand:
 Metal wand only - L015-107
 Hose w/ends only - L015-108
 QC nipple only - L015-109

RP-100 RUSTPROOFING GUN

Pos.	Part nos.	Description	Qty.
	L015-208	RP-100 rustproofing gun	

Accessories:

27	L015-141	Quick coupler	1
35	L015-185	Gasket 38 mm OD	1
36	L015-186	Container	1
37	L015-187	Suction pipe	1
38	L015-148	Hook wand, 3'	1
39	L015-147	360° wand, 3'	1



Specifications subject to change

Oct12