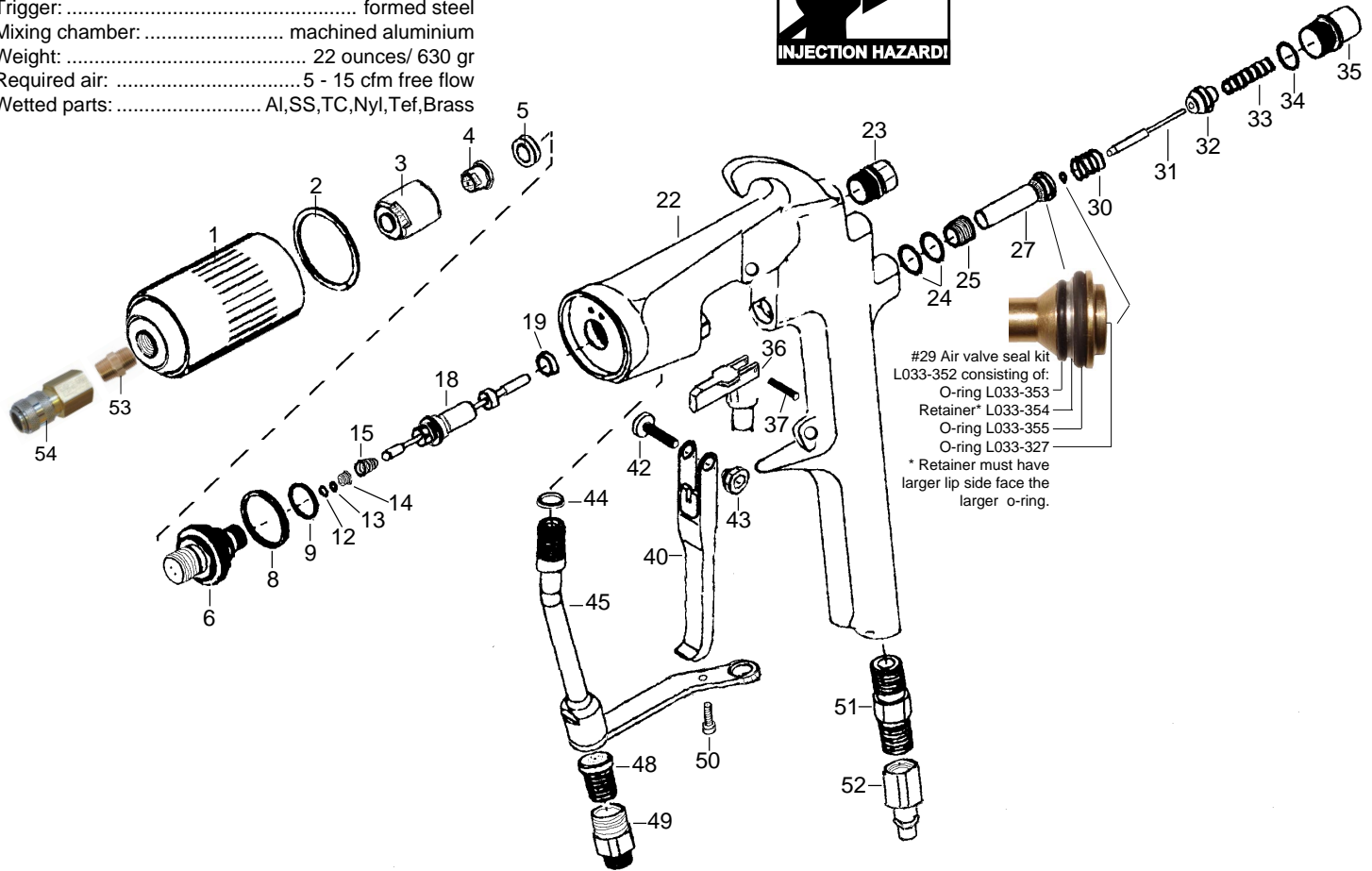


Specifications, F-1001

Maximum Fluid pressure: 3000 psi./225 bar
 Maximum Air pressure: 100 psi./ 6.9 bar
 Body: forged anodized
 Fluid inlet: 1/4" nps
 Spray tip mounting: 11/16"-16 (F) thread
 Air inlet: 1/4" npt
 Trigger: formed steel
 Mixing chamber: machined aluminium
 Weight: 22 ounces/ 630 gr
 Required air: 5 - 15 cfm free flow
 Wetted parts: Al,SS,TC,Nyl,Tef,Brass



#29 Air valve seal kit
 L033-352 consisting of:
 O-ring L033-353
 Retainer* L033-354
 O-ring L033-355
 O-ring L033-327
 * Retainer must have
 larger lip side face the
 larger o-ring.

Pos.	Part nos.	Description	Qty.
L033-300 F-1001 Fogger Gun			
1	L033-305	Mixing chamber, F-1001	1
● 2	L033-341	O-ring, teflon	1
	L003-532	O-ring, buna-n	opt
3	L033-306	Tip retainer, F thread	1
4	L040-154	Tip, std. (0.015- 08")	1
● 5	L043-008	Tip gasket	1
	L043-009	Tip gasket, tube of 8x	opt
6	L033-304	Seat housing assy (incl 8,9,12,13,14)	1
● 8	L033-308	Seal, teflon, large	1
● 9	L033-309	Seal, teflon, small	1
○ 12	L033-310	Nylon gasket	1
○ 13	L033-311	TC Seat	1
○ 14	L033-312	Seat Retainer	1
○ 15	L033-313	Spring, conical	1
○ 18	L033-314	TC ball-packing assy. (incl. pos 19)	1
● 19	L033-321	Seal	1
22	L033-322	Gun body, F-1001	1
23	L033-323	Cap	1
● 24	L033-324	Seal, air valve	2
25	L033-325	Retainer	1
● 27	L033-326	Air valve assembly HD (incl pos. 29)	1
29	L033-352	Air valve seal kit	1
○ 30	L033-328	Sping	1
31	L033-329	Push rod	1
32	L033-330	Retainer	1

Pos.	Part nos.	Description	Qty.
○ 33	L015-259	Spring, easy pull (max 2000 PSI)	1
	L033-331	Spring, high press (max 3300 PSI)	opt
● 34	L033-332	O-ring	1
35	L033-333	Cap	1
36	L033-334	Lever, trigger lock	1
37	L033-335	Pin	1
40	L033-336	Trigger	1
42	L033-337	Bolt, trigger	1
43	L033-338	Nut	1
● 44	L033-339	Seal, fluid pipe	1
45	L033-340	Fluid pipe	1
*48	L011-888	Disc type filter, 60 mesh	1
	L011-906	Disc type filter, 100 mesh	opt
	L011-907	Disc type filter, 200 mesh	opt
49	L033-343	Fluid inlet fitting, 1/4 nps	1
50	L050-591	Bolt, allen M 4 x 0.7 x 10	1
*51	L033-179	Check valve, air	1
52	L035-403	Quick connector (Ind. 1/4"F)	1
53	L035-501	Male connector (1/4")	opt
54	L015-155	Quick coupler (RP type)	opt

Accessories:

- L033-350 Seal kit
- L033-351 Repair kit, incl. L033-350 seal kit
- L033-387 Manual, F-1001
- * * indicates wear parts incl. w/gun kit