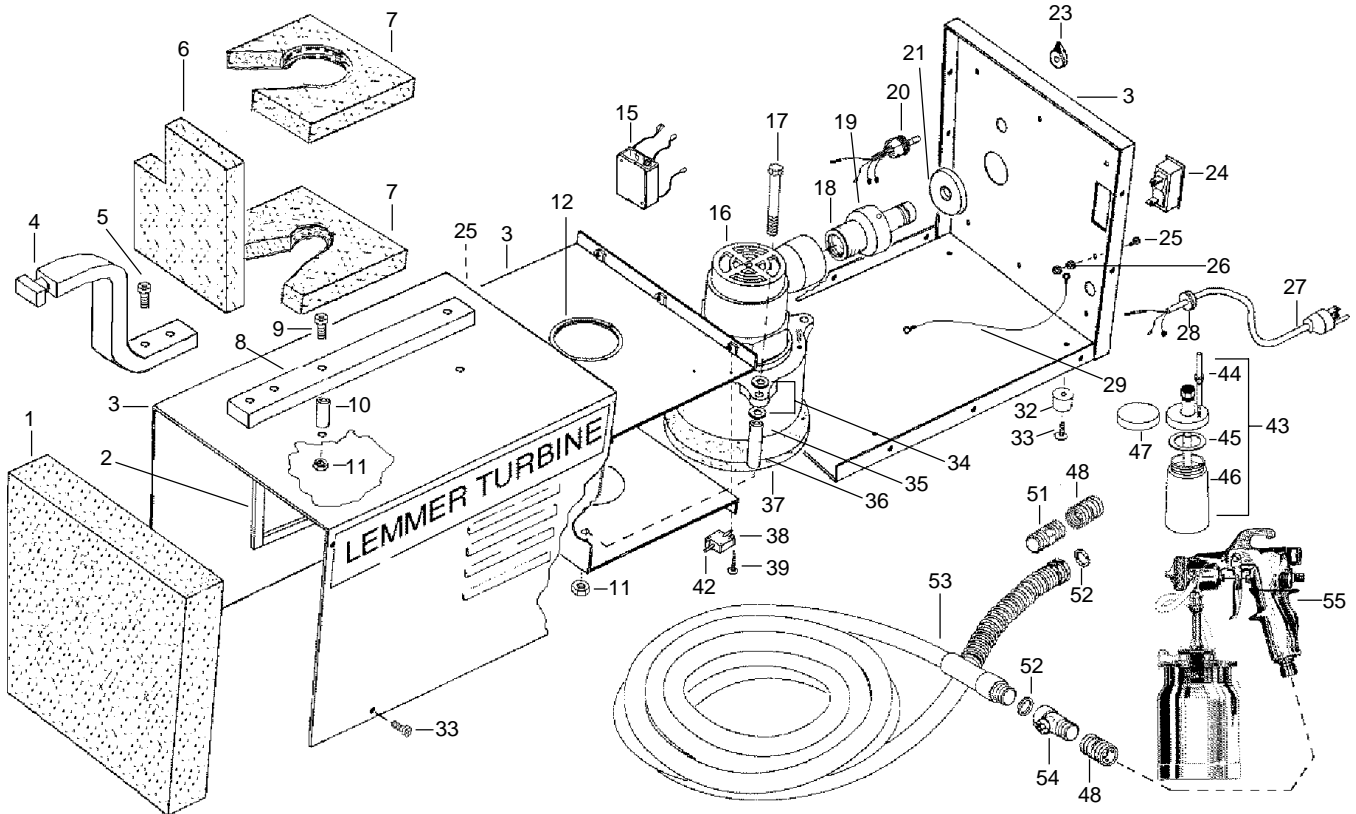


T-90Q PARTS LIST



Factory replacement only:
 L080-619 small inner turbine bearing (7/8" od)
 L080-636 large inner turbine bearing (1" od)
 Motor brush order numbers:
 L080-603 T75/T90 Lamb motor

Canadian Patent 2671500

USA Patent 8,197,221

| Pos. | Part nos. | Description | Qty. |
|------|-----------------|--|------|
| | L080-055 | T-90Q HVLP Turbine spray system | |
| 1 | L080-312 | Main filter, foam | 1 |
| 2 | L080-975 | Foam strip (per foot) | 7.25 |
| 3 | L080-470 | Cabinet complete, T75/T90Q | 1 |
| 4 | L080-465 | Gun hook, T75Q/T90Q (new round bolt version) | 1 |
| 5 | L080-475 | Screw, FH, 1/4 x 3/4" NC | 2 |
| 6 | L080-309 | Silencing foam, back | 1 |
| 7 | L080-308 | Silencing foam, top & bottom | 2 |
| 8 | L080-464 | Handle, 12", T-75Q/T90Q | 1 |
| 9 | L080-462 | Flat handle screw, 1/4x2" NC | 3 |
| 10 | L080-463 | Handle spacer tubes, 1-1/8" | 2 |
| 11 | L080-900 | Lock nut, 1/4" NC | 5 |
| 12 | L080-976 | "V" edging (per foot) | 0.88 |
| 15 | L080-365 | Speed control, T75Q/T90Q | 1 |
| 16 | L081-200 | Turbine motor assy, T90Q | 1 |
| 17 | L080-899 | Bolt, 1/4 x 4" NC, T75Q/T90Q | 3 |
| 18 | L081-201 | Outlet fitting, T90Q | 1 |
| 19 | L080-547 | Elbow, 90deg, 1/16H x 1/16" NPT | 2 |
| 20 | L081-209 | Switch assy, T90Q 4 speed | 1 |
| 21 | L080-313 | Outlet gasket | 1 |
| 23 | L081-210 | Switch knob, T90Q 4 speed | 1 |
| 24 | L080-669 | Switch, 12A T75Q/T90Q std (54mm x 25 mm) | 1 |
| | L081-235 | Switch, 15A mini (32mm x 15.5mm, 2012 up) | 1 |
| 25 | L080-795 | Screw, 8-32 x 5/8" | 3 |
| 26 | L080-912 | Keps nut, 8-32 | 2 |
| 27 | L080-305 | Power cord w/molded plug | 1 |
| 28 | L080-306 | Cord strain relief | 1 |
| 29 | L035-355 | Ground wire (per meter) | 0.23 |
| | L035-354 | Blue wire (per meter) | 0.4 |
| | L035-353 | Brown wire (per meter) | 0.33 |
| | L080-973 | Connector, 0.250" M term. insl., blue | 3 |
| | L004-560 | Connector, 0.250" F term. insl., blue | 4 |
| | L050-586 | Connector, 0.250" F term. insl., yellow | 1 |
| | L080-431 | Connector, 0.250" M term. insl., red | 2 |
| | L080-310 | Connector, 0.187 F term. insl., blue | 2 |
| | L001-520 | Connector, ring #8 | 2 |

| Pos. | Part nos. | Description | Qty. |
|------|-----------|--|------|
| | L013-512 | Cable tie, 7" nylon | 2 |
| 32 | L080-920 | Plastic foot | 4 |
| 33 | L080-798 | Screw, #8 x 3/4" self tapping | 27 |
| 34 | L002-817 | Flat washer, 1/4" | 6 |
| 35 | L080-943 | Spacer tube, 2-1/4" | 3 |
| 36 | L080-949 | Spacer tube, 7/8" | 3 |
| 37 | L080-787 | Doughnut | 1 |
| 38 | L081-214 | Micro switch, air | 1 |
| 39 | L081-216 | Screw, self tapping, #4 x 1" | 2 |
| 42 | L081-215 | Air hose, 1/8" ID, per ft. (not shown) | 1.4 |
| 43 | L080-319 | Mini cup assy, 250cc | 1 |
| 44 | L080-358 | Check valve assy for mini cup | 1 |
| 45 | L080-323 | Lid seal | 1 |
| 46 | L080-321 | Mini cup only | 1 |
| | L080-324 | Mini cup w/air tight lid | 1 |
| 47 | L080-322 | Air tight lid w/seal | 1 |
| 48 | L080-554 | Quick coupler (WH-F) | 2 |
| 51 | L080-486 | Vented fitting, WH M-M | 1 |
| | L050-599 | Idle down feature override screw | 1 |
| 52 | L002-736 | Rubber seal | 2 |
| 53 | L080-300 | 25' flex hose (blue) | 1 |
| 54 | L080-549 | Air control valve | 1 |
| 55 | L081-050 | HVLP A-728 non-bleeder gun | 1 |

Accessories:

| | | | |
|---|----------|-------------------------|---|
| * | L080-461 | Manual | 1 |
| * | L081-213 | Decal T90Q sides (each) | 2 |
| * | L081-211 | Decal T90Q speed switch | 1 |
| * | L080-928 | Decal, CSA caution | 1 |
| * | L080-930 | Decal "Made in Canada" | 1 |
| * | L080-703 | Flexible whip hose, 60" | 1 |

Specifications subject to change.