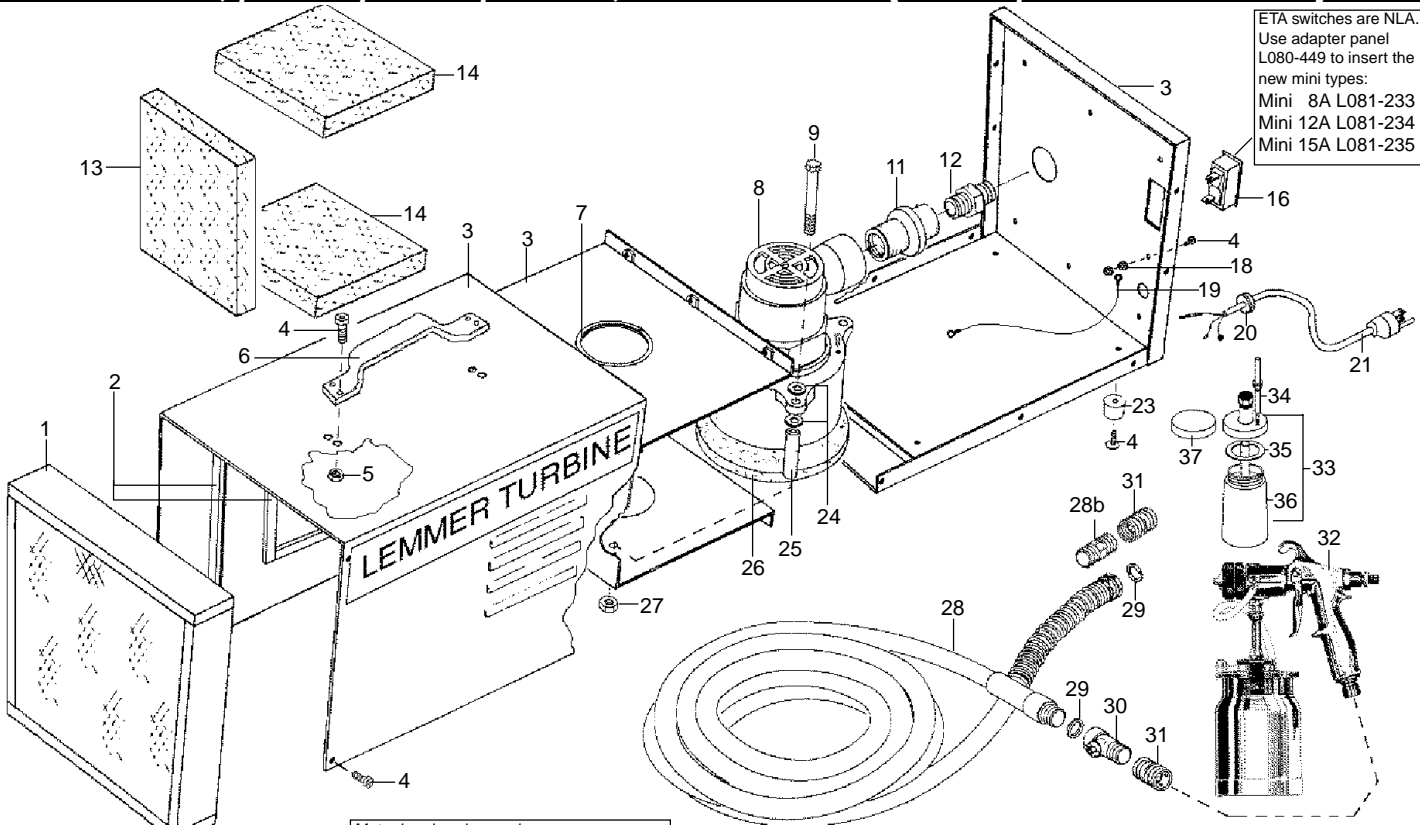


PARTS LIST & DIAGRAM



T-55Q / T-55 / T-75 / T-75Q PARTS LIST (T55 S/N 10301 & UP)



ETA switches are NLA.
 Use adapter panel
 L080-449 to insert the
 new mini types:
 Mini 8A L081-233
 Mini 12A L081-234
 Mini 15A L081-235

Motor brush order numbers:
 L080-602 T55 GS motor
 L080-596 T55/CX5/CX7 Lamb motor
 L080-603 T75 Lamb motor
 L080-604 T95 Lamb motor
 L080-594 T80/CX9/CX10/CX20 Lamb motor

Factory replacement only:
 L080-619 small inner turbine bearing (7/8" od)
 L080-636 large inner turbine bearing (1" od)

Pos.	Part nos.	Description	Qty.
	L080-039	T-55Q HVLP Turbine spray system	
	L080-050	T-75 HVLP Turbine spray system	
	L080-051	T-75Q HVLP Turbine spray system	
1	L080-312	Main filter, foam (T55Q)	1
	L080-473	Main filter foam upgrade kit for T55/75	1
	L080-959	Main filter, original metal cage (T55/75)	1
2	L080-975	Foam strip (per foot, T-75)	7.25
3	L080-301	T55Q cabinet complete	1
	L080-956	T75 cabinet complete	1
	L080-470	T75Q cabinet complete	1
4	L080-795	Screw, 8-32 X 5/8	27
5	L080-977	Lock nut	4
6	L080-968	T55 chrome handle	1
	L080-947	T75 tube handle with end cap	1
	L080-946	T75 handle spacer tubes, 1-1/4"	2
	L080-948	T75 handle bolts, 2.5" x 1/4"	2
	L080-900	T75 handle bolt nuts, 1/4"	2
	L080-957	T75 gun holder bracket	1
	L080-896	T75 bracket bolt, 5/16 x 1"	1
	L080-897	T75 handle plug, 3/8 lag	1
	L080-464	T75Q 12" flat handle	1
	L080-465	T75Q gun hook	1
	L080-475	T75Q hook screw, 1/4x3/4	2
	L080-462	T75Q flat handle screw, 1/4x2	3
	L080-463	T75Q handle spacer tubes, 1-1/8"	2
7	L080-976	"V" edging (per foot)	0.88
8	L080-302	T55Q turbine ass'y	1
	L080-597	T55 turbine ass'y	1
	L080-960	T75/T75Q turbine ass'y	1
9	L080-940	Bolt, 1/4" x 3-14" nc (T55/T55Q)	3
	L080-899	Bolt, 1/4" x 4" nc (T75/T75Q)	3
11	L080-954	T55Q/T75Q adapter, QC (2008 up)	1
	L080-952	T55/75 adapter, 3/4 F	1
12	L080-765	T55/75 brass adapter, 3/4 X WH long	1
	L080-356	T75Q adapter, 3/4 X QC (alu)	1
13	L080-309	Silencing foam, back	1
14	L080-308	Silencing foam, top & bottom	2
	L080-468	Silencing foam, top T75Q	1
16	L080-668	T55 switch, 8 amp ETA	1
	L080-669	T75 switch, 12 amp ETA (54mm x 25mm)	1

Pos.	Part nos.	Description	Qty.
	L081-235	T75Q switch, 15 amp mini (32mm x 15.5mm)	1
	L080-365	T75Q speed control (not shown)	1
	L081-230	T75Q 3 speed switch assy (not shown, 2011 up)	1
	L080-367	T75Q potentiometer assy (not shown)	1
	L081-210	T75Q 3 speed switch knob (not shown, 2011 up)	1
	L080-366	T75Q pot knob (not shown)	1
18	L080-978	Keps nut, 8-32	2
19	L035-355	Ground wire (per meter)	0.23
	L080-973	Connector, M term. incl., blue	1
	L004-560	Connector, F term. incl., blue	1
	L001-520	Connector, ring #8	2
20	L080-306	Cord strain relief (T55Q, T75Q 2008 up)	1
	L050-585	Cord strain relief (T55/T75, 16/3cord)	1
	L080-474	Cord strain relief (T75/T95, 14/3cord)	1
	L001-564	Copper spacer (used with L080-474 above)	1
21	L080-305	Power cord (T55Q, T75Q 2008 up)	1
	L005-529	Power cord (T55/T75, 16/3)	1
	L060-543	Power cord (T75/T75Q, 14/3)	1
23	L080-920	Plastic foot	4
24	L002-817	Flat washer, 1/4"	6
25	L080-943	T55/T75T75Q spacer tube, 2-1/4"	3
	L080-949	T75/T75Q spacer tube, 7/8"	3
26	L080-787	Doughnut	1
27	L080-900	Lock nut, 1/4" nc	3
28	L080-300	25' flex hose (blue T75Q)	1
28b	L035-844	Connecting nipple for QC (T75Q)	1
29	L002-736	Rubber seal	1
30	L080-549	Air control valve	1
31	L080-554	Quick coupler (WH-F)	2
32	L080-511	A-712 HVLPgun (1 L suction)	1
33	L080-319	Mini cup assy, 250cc	1
34	L080-358	Check valve assy for mini cup	1
35	L080-323	Lid seal	1
36	L080-321	Mini cup only	1
	L080-324	Mini cup w/air tight lid	1
37	L080-322	Air tight lid w/seal	1

Accessories:

*	L080-461	Manual	1
*	L080-307	Decal T-55Q (each)	2
*	L080-945	Decal T-75 (each)	2
*	L080-469	Decal T-75Q (each)	2
*	L080-944	Decal T-75(Q) 3-Stage	2
*	L080-380	Decal T75Q speed control	1
*	L080-928	Decal, CSA caution	1
*	L080-930	Decal "Made in Canada"	1

Specifications subject to change.