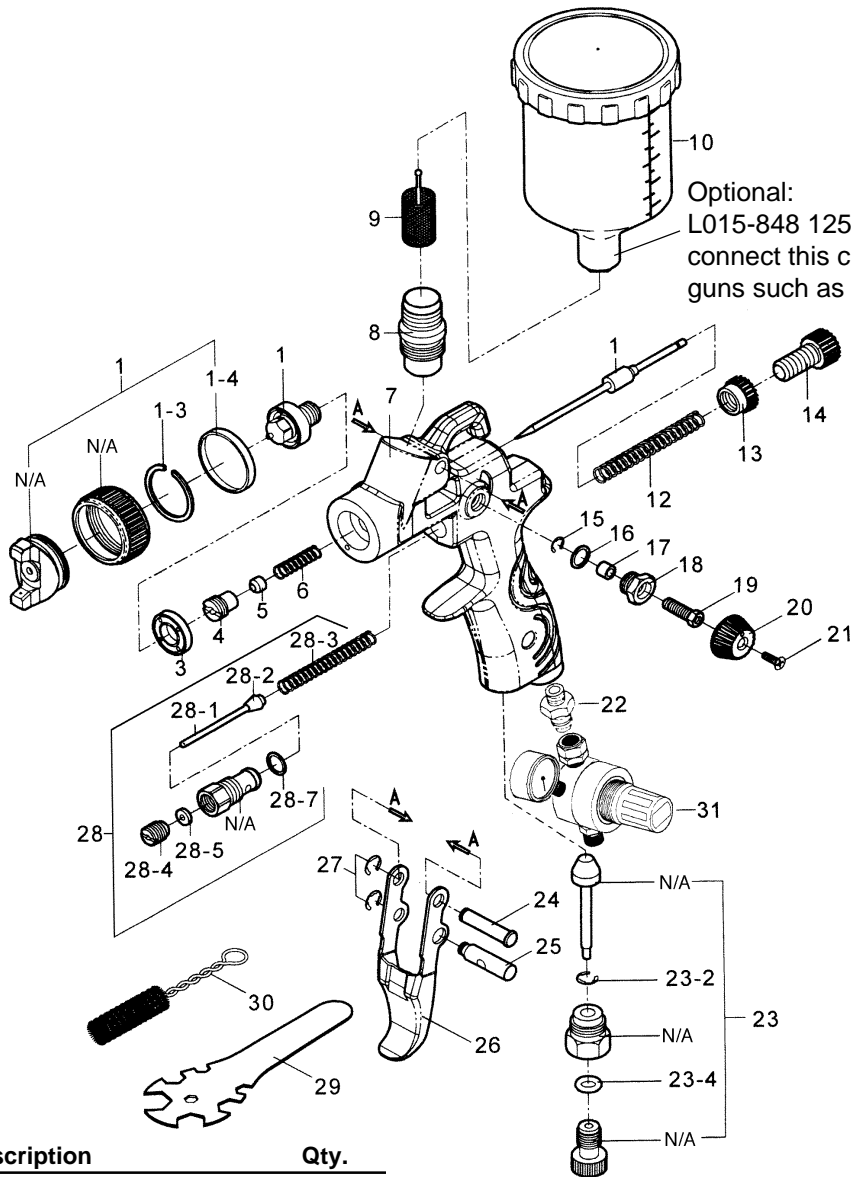


### A-600



Optional:  
L015-848 125ml adapter to connect this cup to the larger guns such as the A910 gravity.

| Pos. | Part nos.       | Description                             | Qty. |
|------|-----------------|---|------|
|      | <b>L015-006</b> | <b>A-600 HVLP Mini Gravity</b>          |      |
| 1    | L015-710        | Needle/seat/cap kit 0.5                 | opt  |
|      | L015-711        | Needle/seat/cap kit 0.8                 | opt  |
|      | L015-712        | Needle/seat/cap kit 1.0                 | 1    |
| 1-3  | L015-713        | Spring clip                             | 1    |
| 1-4  | L015-714        | O-Ring                                  | 1    |
| 3    | L015-715        | Air distribution ring                   | 1    |
| 4    | L015-716        | Packing screw                           | 1    |
| *5   | L015-717        | Packing                                 | 1    |
| *6   | L015-718        | Spring                                  | 1    |
| 7    | L015-719        | Gun body                                | 1    |
| 8    | L015-720        | Cup connector                           | 1    |
| 9    | L015-683        | Hopper strainer                         | 1    |
|      | L015-684        | Hopper strainer (pak of 5)              | opt  |
| 10   | L015-721        | Gravity cup with lid (nylon 125cc)      | 1    |
|      | L015-722        | Lid only for 125cc nylon cup            | opt  |
|      | L015-847        | Gravity cup with lid (Metal 125cc)      | opt  |
|      | L015-862        | Seal for above 125cc alu cup            | opt  |
|      | L015-848        | Adapter to attach 125cc to larger guns. |      |
| *12  | L015-724        | Spring                                  | 1    |
| 13   | L015-725        | Locking ring                            | 1    |
| 14   | L015-726        | Fluid control knob                      | 1    |
| 15   | L015-727        | C-Clip                                  | 1    |
| *16  | L015-728        | Gasket                                  | 1    |
| *17  | L015-729        | Seal                                    | 1    |
| 18   | L015-730        | Housing                                 | 1    |

| Pos.  | Part nos. | Description                  | Qty. |
|-------|-----------|------------------------------|------|
| 19    | L015-731  | Adjusting screw              | 1    |
| 20    | L015-732  | Fan control knob             | 1    |
| 21    | L015-733  | Screw                        | 1    |
| 22    | L015-539  | Air inlet fitting            | 1    |
| 23    | L015-734  | Air flow control             | 1    |
| 23-2  | L015-823  | C-Clip                       | 1    |
| *23-4 | L015-735  | O-Ring                       | 1    |
| 24    | L015-736  | Trigger pin upper            | 1    |
| 25    | L015-737  | Trigger pin lower            | 1    |
| 26    | L015-738  | Trigger                      | 1    |
| *27   | L015-550  | C-Clip                       | 2    |
| 28    | L015-739  | Air valve assembly           | 1    |
| 28-1  | L015-740  | Shaft                        | 1    |
| *28-2 | L015-741  | Valve cone                   | 1    |
| *28-3 | L015-742  | Valve Spring                 | 1    |
| 28-4  | L015-743  | Packing screw                | 1    |
| *28-5 | L015-744  | Packing                      | 1    |
| *28-7 | L015-745  | Seal                         | 1    |
| 29    | L015-746  | Wrench                       | 1    |
| 30    | L015-747  | Brush                        | 1    |
| 31    | L015-748  | Mini regulator with guage    | 1    |
| 32    | L015-749  | Mini guage (0-150 psi)       | 1    |
| *     | L015-750  | Seal kit, items marked "***" |      |
| ns    | L015-349  | Operators Manual             | 1    |

Specifications subject to change.