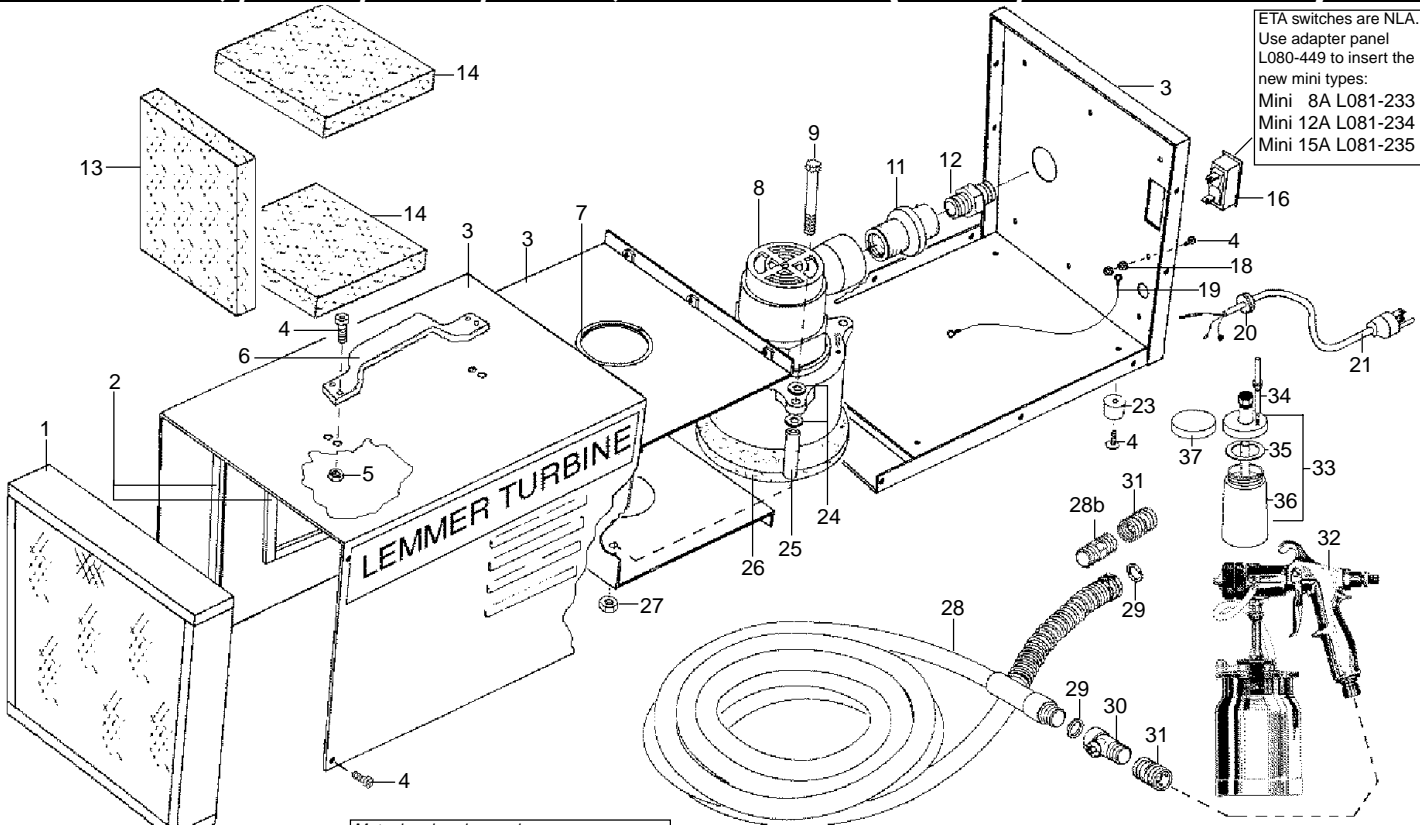


PARTS LIST & DIAGRAM



T-55Q / T-55 / T-75 / T-75Q PARTS LIST (T55 S/N 10301 & UP)



ETA switches are NLA.
 Use adapter panel
 L080-449 to insert the
 new mini types:
 Mini 8A L081-233
 Mini 12A L081-234
 Mini 15A L081-235

Motor brush order numbers:
 L080-602 T55 GS motor
 L080-596 T55/CX5/CX7 Lamb motor
 L080-603 T75 Lamb motor
 L080-604 T95 Lamb motor
 L080-594 T80/CX9/CX10/CX20 Lamb motor

Factory replacement only:
 L080-619 small inner turbine bearing (7/8" od)
 L080-636 large inner turbine bearing (1" od)

| Pos. | Part nos. | Description | Qty. |
|------|-----------------|---|------|
| | L080-039 | T-55Q HVLP Turbine spray system | |
| | L080-050 | T-75 HVLP Turbine spray system | |
| | L080-051 | T-75Q HVLP Turbine spray system | |
| 1 | L080-312 | Main filter, foam (T55Q) | 1 |
| | L080-473 | Main filter foam upgrade kit for T55/75 | 1 |
| | L080-959 | Main filter, original metal cage (T55/75) | 1 |
| 2 | L080-975 | Foam strip (per foot, T-75) | 7.25 |
| 3 | L080-301 | T55Q cabinet complete | 1 |
| | L080-956 | T75 cabinet complete | 1 |
| | L080-470 | T75Q cabinet complete | 1 |
| 4 | L080-795 | Screw, 8-32 X 5/8 | 27 |
| 5 | L080-977 | Lock nut | 4 |
| 6 | L080-968 | T55 chrome handle | 1 |
| | L080-947 | T75 tube handle with end cap | 1 |
| | L080-946 | T75 handle spacer tubes, 1-1/4" | 2 |
| | L080-948 | T75 handle bolts, 2.5" x 1/4" | 2 |
| | L080-900 | T75 handle bolt nuts, 1/4" | 2 |
| | L080-957 | T75 gun holder bracket | 1 |
| | L080-896 | T75 bracket bolt, 5/16 x 1" | 1 |
| | L080-897 | T75 handle plug, 3/8 lag | 1 |
| | L080-464 | T75Q 12" flat handle | 1 |
| | L080-465 | T75Q gun hook | 1 |
| | L080-475 | T75Q hook screw, 1/4x3/4 | 2 |
| | L080-462 | T75Q flat handle screw, 1/4x2 | 3 |
| | L080-463 | T75Q handle spacer tubes, 1-1/8" | 2 |
| 7 | L080-976 | "V" edging (per foot) | 0.88 |
| 8 | L080-302 | T55Q turbine ass'y | 1 |
| | L080-597 | T55 turbine ass'y | 1 |
| | L080-960 | T75/T75Q turbine ass'y | 1 |
| 9 | L080-940 | Bolt, 1/4" x 3-14" nc (T55/T55Q) | 3 |
| | L080-899 | Bolt, 1/4" x 4" nc (T75/T75Q) | 3 |
| 11 | L080-954 | T55Q/T75Q adapter, QC (2008 up) | 1 |
| | L080-952 | T55/75 adapter, 3/4 F | 1 |
| 12 | L080-765 | T55/75 brass adapter, 3/4 X WH long | 1 |
| | L080-356 | T75Q adapter, 3/4 X QC (alu) | 1 |
| 13 | L080-309 | Silencing foam, back | 1 |
| 14 | L080-308 | Silencing foam, top & bottom | 2 |
| | L080-468 | Silencing foam, top T75Q | 1 |
| 16 | L080-668 | T55 switch, 8 amp ETA | 1 |
| | L080-669 | T75 switch, 12 amp ETA (54mm x 25mm) | 1 |

| Pos. | Part nos. | Description | Qty. |
|------|-----------|---|------|
| | L081-235 | T75Q switch, 15 amp mini (32mm x 15.5mm) | 1 |
| | L080-365 | T75Q speed control (not shown) | 1 |
| | L081-230 | T75Q 3 speed switch assy (not shown, 2011 up) | 1 |
| | L080-367 | T75Q potentiometer assy (not shown) | 1 |
| | L081-210 | T75Q 3 speed switch knob (not shown, 2011 up) | 1 |
| | L080-366 | T75Q pot knob (not shown) | 1 |
| 18 | L080-978 | Keps nut, 8-32 | 2 |
| 19 | L035-355 | Ground wire (per meter) | 0.23 |
| | L080-973 | Connector, M term. incl., blue | 1 |
| | L004-560 | Connector, F term. incl., blue | 1 |
| | L001-520 | Connector, ring #8 | 2 |
| 20 | L080-306 | Cord strain relief (T55Q, T75Q 2008 up) | 1 |
| | L050-585 | Cord strain relief (T55/T75, 16/3cord) | 1 |
| | L080-474 | Cord strain relief (T75/T95, 14/3cord) | 1 |
| | L001-564 | Copper spacer (used with L080-474 above) | 1 |
| 21 | L080-305 | Power cord (T55Q, T75Q 2008 up) | 1 |
| | L005-529 | Power cord (T55/T75, 16/3) | 1 |
| | L060-543 | Power cord (T75/T75Q, 14/3) | 1 |
| 23 | L080-920 | Plastic foot | 4 |
| 24 | L002-817 | Flat washer, 1/4" | 6 |
| 25 | L080-943 | T55/T75T75Q spacer tube, 2-1/4" | 3 |
| | L080-949 | T75/T75Q spacer tube, 7/8" | 3 |
| 26 | L080-787 | Doughnut | 1 |
| 27 | L080-900 | Lock nut, 1/4" nc | 3 |
| 28 | L080-300 | 25' flex hose (blue T75Q) | 1 |
| 28b | L035-844 | Connecting nipple for QC (T75Q) | 1 |
| 29 | L002-736 | Rubber seal | 1 |
| 30 | L080-549 | Air control valve | 1 |
| 31 | L080-554 | Quick coupler (WH-F) | 2 |
| 32 | L080-511 | A-712 HVLPgun (1 L suction) | 1 |
| 33 | L080-319 | Mini cup assy, 250cc | 1 |
| 34 | L080-358 | Check valve assy for mini cup | 1 |
| 35 | L080-323 | Lid seal | 1 |
| 36 | L080-321 | Mini cup only | 1 |
| | L080-324 | Mini cup w/air tight lid | 1 |
| 37 | L080-322 | Air tight lid w/seal | 1 |

Accessories:

| | | | |
|---|----------|--------------------------|---|
| * | L080-461 | Manual | 1 |
| * | L080-307 | Decal T-55Q (each) | 2 |
| * | L080-945 | Decal T-75 (each) | 2 |
| * | L080-469 | Decal T-75Q (each) | 2 |
| * | L080-944 | Decal T-75(Q) 3-Stage | 2 |
| * | L080-380 | Decal T75Q speed control | 1 |
| * | L080-928 | Decal, CSA caution | 1 |
| * | L080-930 | Decal "Made in Canada" | 1 |

Specifications subject to change.