

### A-580 CONVENTIONAL SPRAY GUN

#### NOZZLE SIZING - A-580

There are 3 different basic sizes of fluid nozzle available:

#### Material being sprayed

Clear lacquers, thin stains, ..... 1.0 mm diameter (.039")

most industrial enamels, automotive paints. (standard)

Color or high build lacquers, metal primers, ... 1.3 mm diameter (.051")

semi gloss oil paints, other moderate viscosity products. .

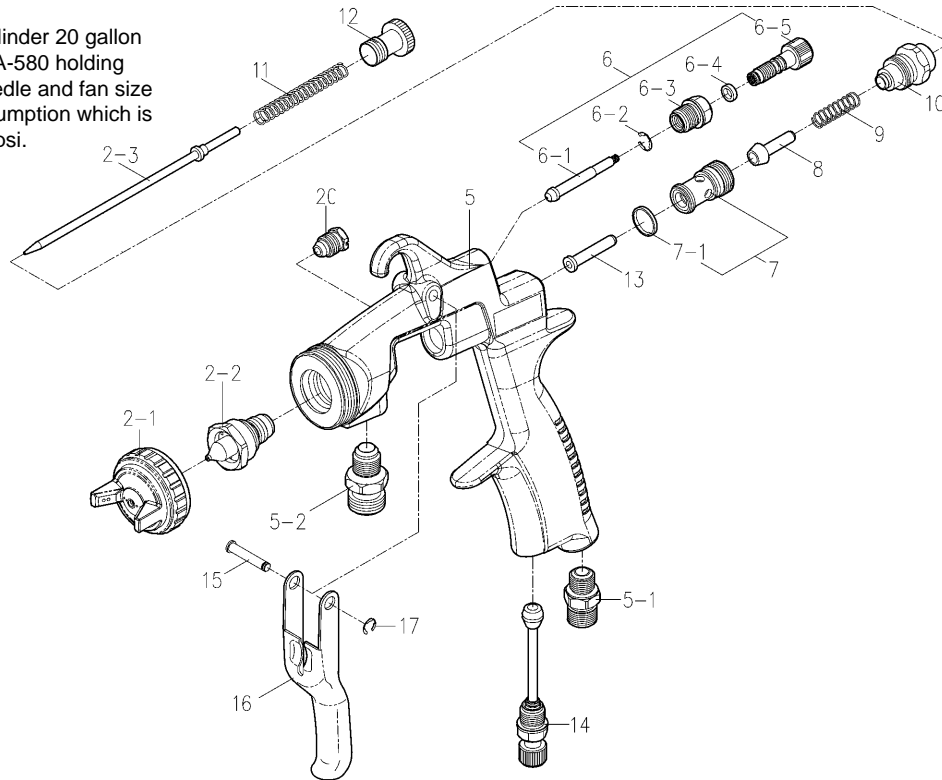
Latex and oil paints, multicolor, primers. .... 1.8 mm diameter (.071")

#### Nozzle chart

Material	1.0 mm	1.3 mm	1.8 mm
clear finishes (up to 20 sec)	best	ok	no
colour finishes (20 - 40 sec)	ok	best	ok
multicolour & heavy latex (40+ sec)	no	no	ok

#### Air consumption data:

Lemmer test with CH twin cylinder 20 gallon tank compressor shows the A-580 holding about 50 psi continuous. Needle and fan size do not greatly affect air consumption which is approximately 6-9 cfm @ 60psi.



Pos.	Part nos.	Description	Qty.
	<b>L015-010</b>	<b>A-580P mini conv spray gun 1.0mm</b>	
	<b>L011-077</b>	<b>A-580P with 2.25G kit</b>	
2	L015-321	Needle/seat/cap kit 0.8, A580	
	L015-322	Needle/seat/cap kit 1.0, A580	
	L015-323	Needle/seat/cap kit 1.3, A580	
	L015-324	Needle/seat/cap kit 1.5, A580	
	L015-325	Needle/seat/cap kit 1.8, A580	
2C	L015-327	Packing assy	1
5	L015-328	Gun body, A580	1
5-1	L015-820	Air inlet fitting	1
5-2	L015-329	Fluid inlet fitting	1
6	L015-330	Fan control assy (A580)	1
6-1	L015-331	Fan control stem	1
6-2	L015-332	Fan control snap ring	1
6-3	L015-333	Fan control housing	1
6-4	L015-334	Fan control seal	1

Pos.	Part nos.	Description	Qty.
6-5	L015-335	Fan control control knob	1
7	L015-336	Air valve seat assy	1
7-1	L015-337	O-ring	1
8	L015-338	Air valve	1
9	L015-339	Air valve spring	1
10	L015-340	Air valve retainer	1
11	L015-341	Needle spring	1
12	L015-342	Material control knob	1
13	L015-343	Air valve stem	1
14	L015-821	Air flow control valve	1
15	L015-344	Trigger pin	1
16	L015-345	Trigger	1
17	L015-346	Trigger C-clip	1

#### Accessories:

- \* L015-347 Seal kit consisting of items marked " \* "
- L015-348 Tool kit
- L015-349 Manual A-580