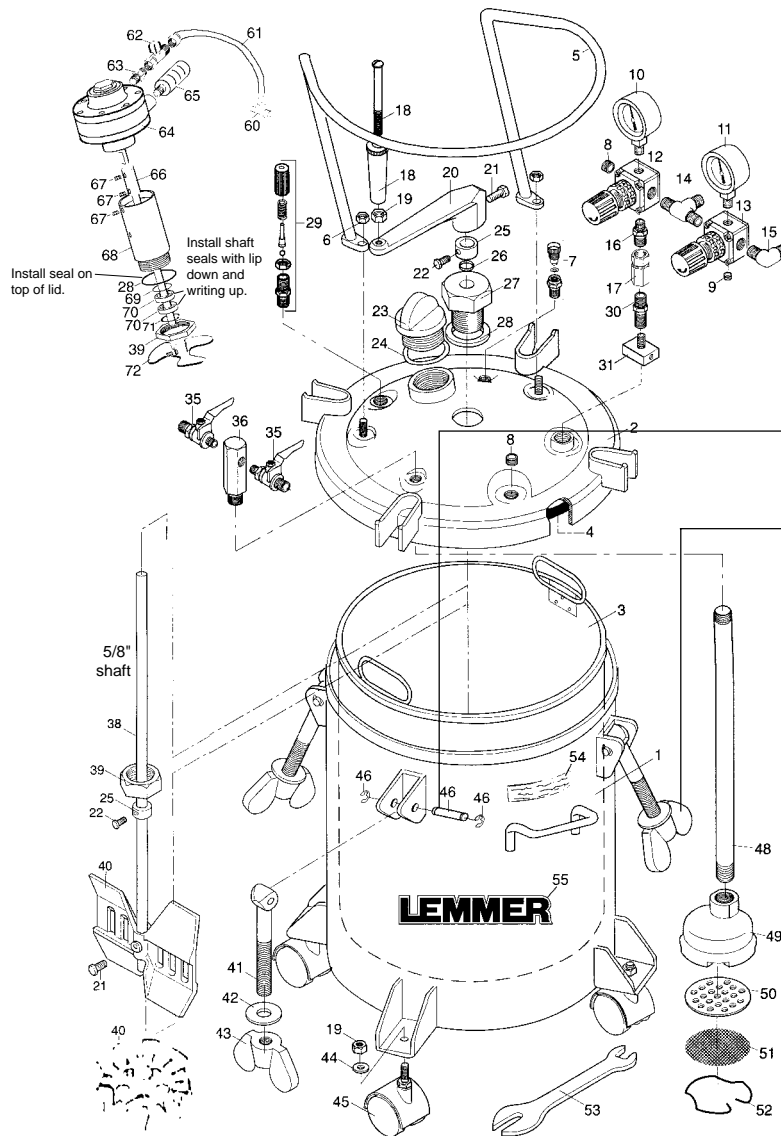


5 GALLON PRESSURE POT WITH MANUAL OR AIR AGITATOR



Warning: Never allow pressure in pot to exceed 50 lbs.

Shown with agitator option.

CAUTION: Make certain that all pressures within the system are relieved before attempting to remove any component or part of a component.

WARNING: Make sure pins are properly fastened before pressurizing the tank!

CAUTION: Do not use wrench or pliers to tighten knobs. Hand tighten only.

Pos.	Part nos.	Description	Qty.
L011-082 Pressure pot with manual agitator, 5 gal.			
1	L011-240	Tank	1
2	L011-241	Lid assembly	1
3	L011-242	Stainless steel inner tank	1
4	L011-243	Cover gasket	1
5	L011-244	Carrying handle	1
6	L011-245	Nut	2
7	L011-246	Bleeder valve ass'y	1
8	L035-561	Plug, 1/4"	2
9	L035-560	Plug, 1/8"	1
10	L011-192	Air guage, 0-60 psi, 1/8" bottom	1
11	L011-193	Air guage, 0-160 psi, 1/8" bottom	1
12	L011-178	Regulator, Fluid 0-60 psi	1
13	L011-179	Regulator, Air 0-125 psi	1
14	L035-661	Tee, 1/4"M	1
15	L035-571	Elbow, 1/4"M	1
16	L035-510	Connector, 1/4"M x 1/8"M	1
17	L036-241	Swivel, 1/4"F	1
18	L011-253	Handle with bolt	1
19	L011-254	Nut	5
20	L011-255	Crank arm	1
21	L011-256	Bolt	1
22	L011-257	Bolt	1
23	L011-258	Cap	1
24	L011-259	Sealing ring	1
25	L011-260	Connecting ring	2

Pos.	Part nos.	Description	Qty.
26	L011-261	O-ring	2
27	L011-262	Centering guide	1
28	L011-263	Sealing ring	1
29	L011-264	Safety valve ass'y	1
30	L011-250	Air inlet adapter	1
31	L011-251	Air inlet baffle	1
35	L011-265	Ball valve	2
36	L011-266	Outlet tee	1
38	L011-268	Agitator rod	1
	L011-268S	Agitator rod SS, 5G Man, 5/8"	opt
39	L011-269	Nut	1
40	L011-270	Propeller	1
	L011-270S	Propellor, SS flat 4", 5/8" shaft	opt
41	L011-271	Swing bolt	4
42	L011-272	Washer	4
43	L011-273	Wing nut	4
44	L002-508	Washer, 3/8"	4
45	L011-274	Castor wheel	4
46	L011-275	Cotter pin set	1
48	L011-276	Fluid tube	1
49	L011-277	Suction filter ass'y (incl.#50,51,52)	1
50	L011-247	Filter support	1
51	L011-248	Suction screen	1
52	L011-249	Snap ring	1
53	L011-278	Wrench	1
54	L011-173	Decal, pressure pot settings	1
55	L075-278	Decal, 10" Lemmer logo	2
60	L035-691	Tee, 1/4FFM	1
61	L035-715	Coupler, 1/4H x 1/4M	1
	L035-744	Swivel coupler, 1/4H x 1/4F	1
	L035-330	Air hose, 1/4" per foot	.5
62	L011-550	Air flow control valve	1
63	L032-630	1/4" fitting, BSP	1
64	999018	Agitator motor, 3/4 hp	1
65	999013	Muffer	1
66	L011-281	Agitator shaft, 17" chromed	1
67	L015-193	Screw	3
68	L011-280	Agitator adapter, 5 gallon	1
69	L011-183	O-ring	1
70	L011-185	Leather seal	2
71	L011-184	Internal snap ring	1
72	999021	3.5" chrome propellor	1
	L015-596	Manual, air spray equipment	1