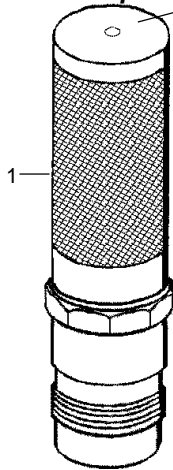


PARTS LIST & DIAGRAM



BLACK HIGH PRESSURE PAINT FILTER

Bare filter parts:



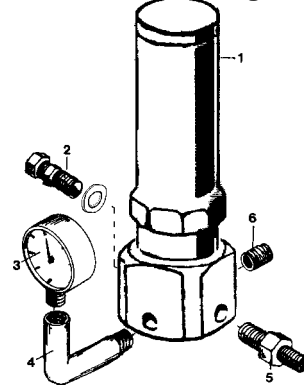
Caution: Do not wrench tighten. Screw down hand tight and back off 1/16 of a turn to make next removal effortless.

Pos.	Part nos.	Description	Qty.
L034-006 Black paint filter complete			
L034-007 Stainless Steel paint filter complete			
1	L034-501	Cap, black	1
2	L034-502	Screw	1
3	L034-514	Screen, 15 mesh	opt.
	L034-515	Screen, 30 mesh	opt.
	L034-503	Screen, 50 mesh	opt.
	L034-504	Screen, 100 mesh	1
	L034-505	Screen, 150 mesh	opt.
	L034-506	Screen, 200 mesh	opt.
	L034-516	Screen, 300 mesh	opt.
	L034-517	Screen, 400 mesh	opt.
4	L034-507	Spacer	1
5	L034-518	Threaded stud	1
6	L034-508	Base nut	1
7	L034-509	Nylon o-ring, 38x4	1
8	L034-511	Base-black, 3/8" in & out, 2 x 1/4" out	1

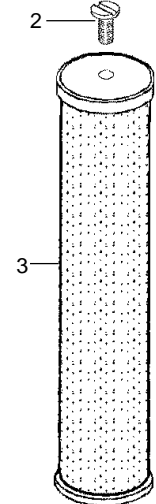
High pressure filter features:

- Made of lightweight forged aluminium.
- Screens are industry standard.
- Hand tight cap.
- Proven long life seal.
- Maximum 3,400 psi.
- Also available in stainless steel

Pneumatic mounting accessories:



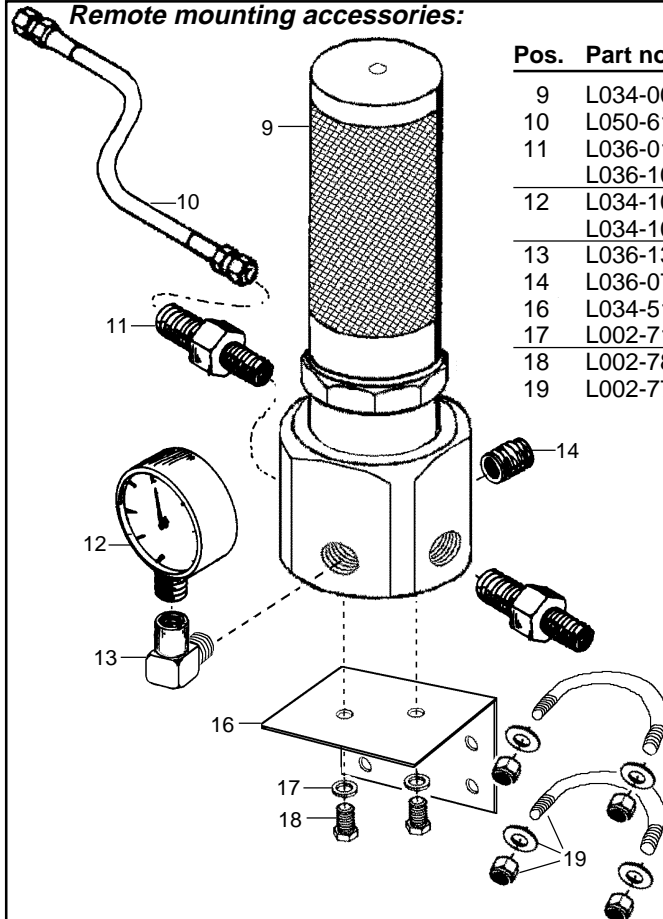
	14:1 Paint filter L298-250	3233 Paint filter L298-251	6552 Paint filter L298-252
1	1	1	
2	1	1	
162728			1
L034-520			1
3	1		
L034-101		1	1
4	1	1	1
5	1	1	1
6	1	1	1



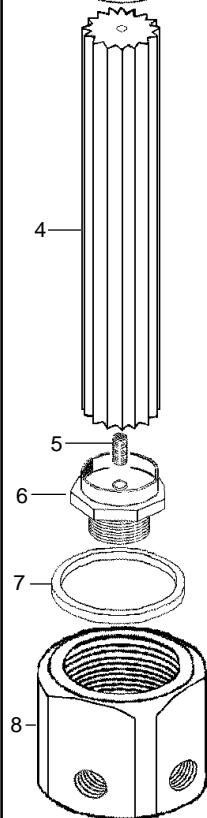
Pos. Part nos. Description

1	L034-006	Paint filter, 100 mesh, 3/8" npt outlet	1
2	L036-212	Swivel, 3/8 MF	
	162728	Swivel, 22mm F x 3/8" M	1
	L034-520	Seal, copper (use with fitting above)	1
3	L034-103	Gauge, 0-2000 psi	
	L034-101	Gauge, 0-6000 psi	
4	L036-131	Elbow, 1/4 MF	
5	L036-001	Connector, 1/4 M	
6	L036-071	Plug, 1/4 M	

Remote mounting accessories:



Pos.	Part nos.	Description	Qty.
9	L034-006	Paint filter, 100 mesh, 3/8" npt outlet	1
10	L050-617	Hose, 18" high pressure 3300 psi	1
11	L036-013	Connector, 3/8"M x 1/4"M	1
	L036-100	Connector, 3/8"M x 1/4"M 90°	1
12	L034-103	Gauge, 0-2000 psi	1
	L034-101	Gauge, 0-6000 psi	1
13	L036-131	Elbow, 1/4 MF	1
14	L036-071	Plug, 1/4 M	2
16	L034-519	Filter mounting bracket	1
17	L002-714	5/16" lock washer	2
18	L002-781	5/16" x 1" mounting bolt	2
19	L002-777	Clamp with nuts for tubing	2



maximum
3400 psi