

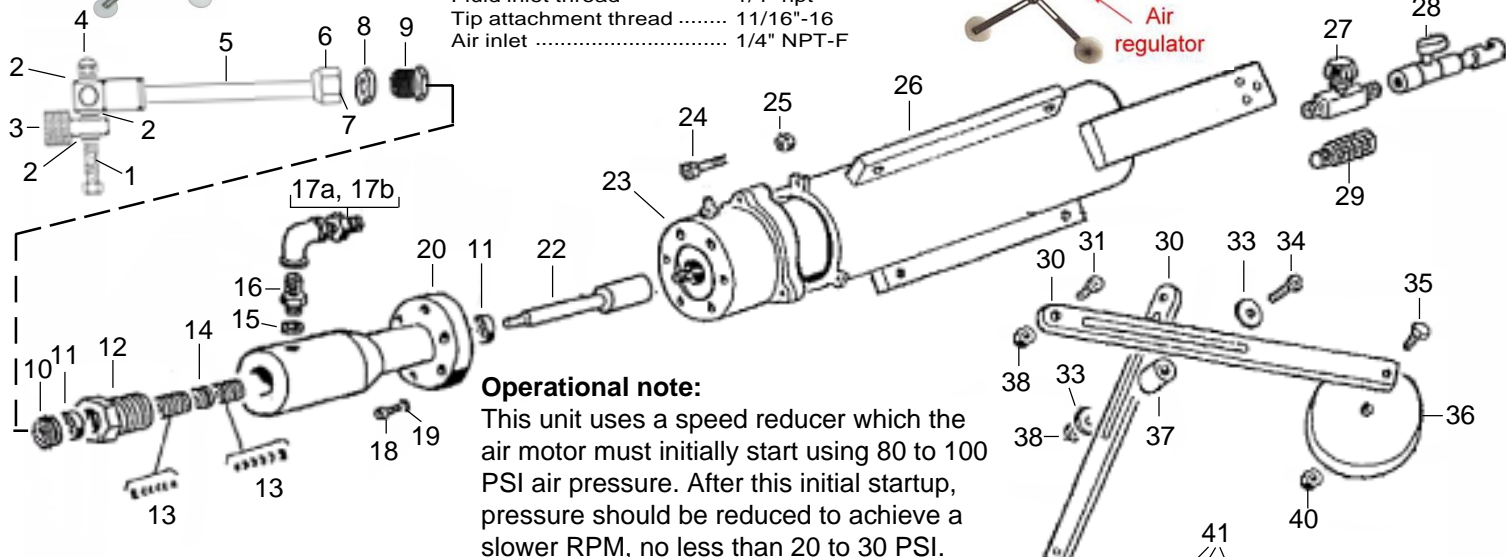
PIPE COATER - AUTO ROTARY

The pipe coater kit includes an air operated airless gun to control fluid shutoff. PN L033-573

Specifications

Max. fluid pressure	3600 psi
Air pressure range	30 - 100 psi
Air CFM req'd	2 - 6 CFM
For spraying pipe ID	10" to 27"
Fluid inlet thread	1/4" npt
Tip attachment thread	11/16"-16
Air inlet	1/4" NPT-F

Material inlet



Operational note:

This unit uses a speed reducer which the air motor must initially start using 80 to 100 PSI air pressure. After this initial startup, pressure should be reduced to achieve a slower RPM, no less than 20 to 30 PSI.

Pos.	Part nos.	Description	Qty.
	L033-571	Pipe Coater - Auto Rotator (10-27" ID)	
	L033-573	Pipe Coater kit - with Wiwa 300 (10-27" ID)	
1	L033-905	Hollow bolt	1
2	L033-907	Nylon seal	3
3	L033-908	Swivel fitting, L-thread	1
	L033-912	Swivel fitting, G-thread	1
4	L033-906	Cap nut	1
5	L033-023	0.2M extension assembly	1
6	L033-900	Tip nut, L-thread	1
7	L033-901	Tube nipple (not shown)	1
8	L043-008	Nylon gasket	1
9	L033-910	Connector fitting, L thread	1
10	L033-704	Retaining nut, bearing	1
11	L033-705	Bearing	2
12	L033-706	Nut, packing	1
13	L033-703	Packing set, each (front or back)	2
14	L033-707	Spacer, packing	1
15	L001-555	Seal, copper	1
16	L032-603	Fitting, 1/4 NPS	1
17a	L036-211	Swivel, 1/4MF (use with 17b)	1
17b	L036-271	Swivel elbow, 1/4 MF (use with 17a)	1
18	L033-717	Bolt, socket head	6
19	L002-562	Lockwasher	6
20	L033-708	Main housing	1
22	L033-709	Output shaft	1

Pos.	Part nos.	Description	Qty.
23	L033-710	Air motor w/speed reducer	1
24	L033-716	Bolt	3
25	L032-549	Nut, self locking	3
26	L033-711	Gun frame	1
27	L033-712	Needle valve, 1/4"	1
28	L033-701	Ball valve, 1/4 MF	1
29	L014-562	Air muffler	1
30	L033-713	Support arm	6
31	L014-502	Bolt, soc (M8 x 28)	6
33	L033-715	Flat washer	6
34	L001-582	Bolt, soc (M8 x 35)	3
35	L033-700	Bolt, soc (M8 x 30)	6
36	L033-714	Wheel, nylon 80 mm dia.	6
37	L033-718	Spacer	3
38	L014-521	Nut, self locking, M8	9
40	L033-702	Nut M8	6

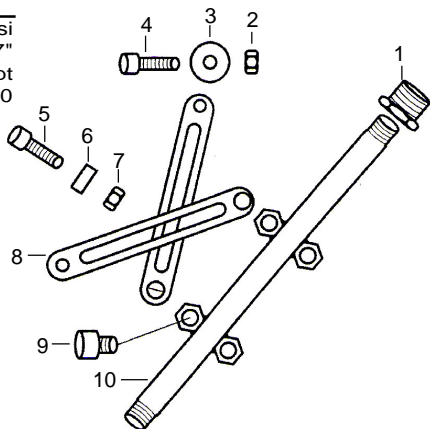
Accessories:

41	L033-572	Arm extension kit for pipe up to 48" opt consisting of: 6x#30 + 12x#34 + 24x#33 + 12x#38	
----	----------	--	--

PIPE COATER - CENTERING BLOCK

Specifications

Max. pressure	4000 psi
For pipe sizes	3.25" to 7"
Inlet thread	1/4" npt
Order number	L033-570



Pos.	Part nos.	Description	Qty.
	L033-570	Pipe Coater - Spray Block (3.3-7"ID)	
1	L033-910	Connector	1
2	460184	Bolt, M6	6
3	L033-719	Wheel, nylon ___mm dia.	6
4	L001-526	Bolt, M6x15	6
5	460508	Bolt, M6x20	3
6	L033-720	Spacer	3
7	L032-590	Nut M6, Nylon lock	3
8	L033-723	Arm	6
9	L033-721	Bolt, 8x10	6
10	L033-722	Body	1

Specifications subject to change.