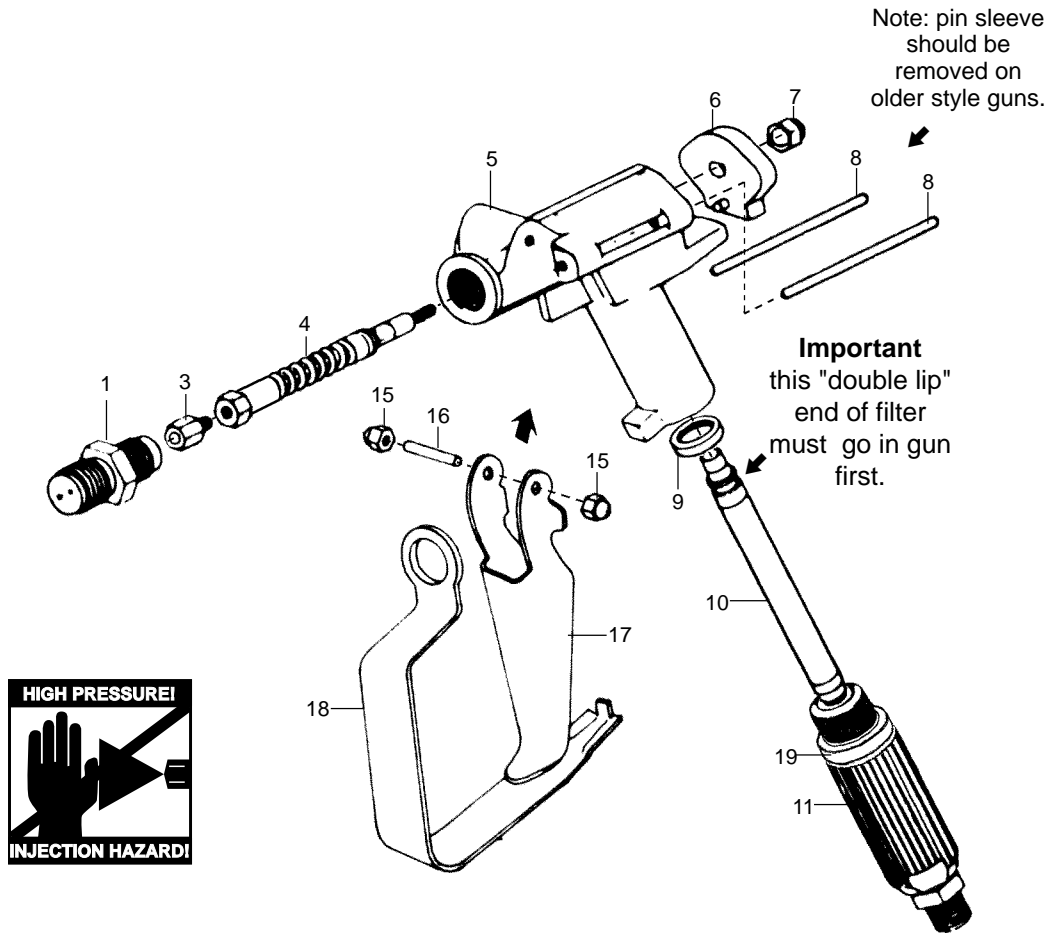


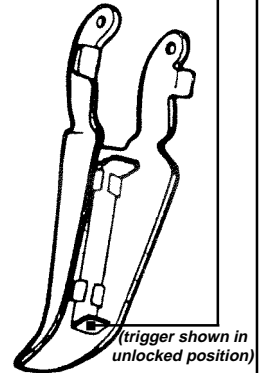
### L-60 GUN



Note: pin sleeve should be removed on older style guns.

#### Important

To engage trigger safety lock, push lever tab to full up position. Test regularly for proper functioning while system is shut down.



Important this "double lip" end of filter must go in gun first.

#### SPECIFICATIONS

Maximum pressure: 3600 psi.

Tip thread: 11/16 - 16.

Hose connection: 1/4" nps.

Wetted parts: Al,Fe,SS,TC,Cu,

Brass,Tef.

Pos.	Part nos.	Description	Qty.
	<b>L032-021</b>	<b>L-60 -L Airless spray gun (2 finger)</b>	
	<b>L032-022</b>	<b>L-60-G Airless spray gun (2 finger)</b>	
	<b>L032-023</b>	<b>L-60-L Airless spray gun (4 finger)</b>	
1	L032-650	Seat -L	1
	L032-656	Seat -G	1
3	L032-653	Ball (brass housing)	1
4	L032-679	Packing ass'y (brass body) (incl. #7nut)	1
5	L032-664	Gun body	1
6	L032-671	Retainer block	1
7	L032-673	Lock nut	1
8	L032-670	Trigger push pin with sleeve	2
9	L032-665	Handle seal	1
10	L032-516	Gun filter, white (50 mesh)	opt.
	L032-517	Gun filter, yellow (100 mesh)	1
	L032-518	Gun filter, red (200 mesh)	opt.

Pos.	Part nos.	Description	Qty.
11	L032-680	Handle with swivel (new 1pc type)	1
	L032-667	Handle only (old 2pc type) *wsl	
15	L032-676	Trigger shaft nut	2
16	L032-663	Trigger shaft ass'y (incl.pos.15 x 2)	1
17	L032-662	Trigger (2 finger)	1
	L032-654	Trigger (4 finger)	1
18	L032-651	Trigger guard (2 finger)	1
	L032-655	Trigger guard (4 finger)	1
19	L032-574	Plastic spacer, cosmetic-some models	1

#### Accessories:

- L032-677 Repair kit for G ver. (incl. pos. 1,3,4)
- L032-678 Repair kit for L ver. (incl. pos. 1,3,4)
- L032-678BR-kit for L ver. (incl. pos. 1,3,4) Bedford