

PARTS LIST & DIAGRAM

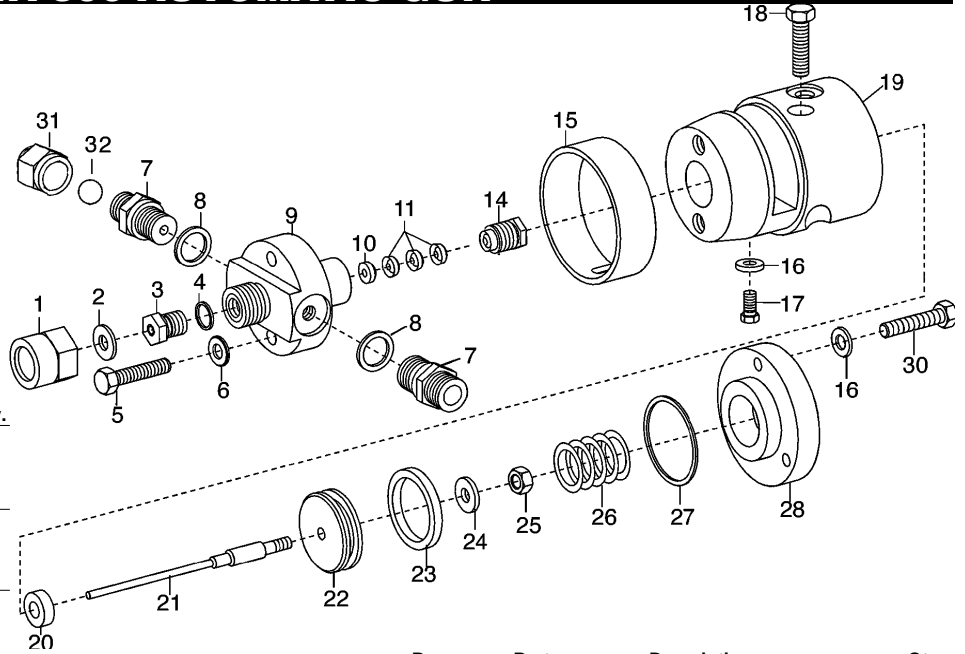
WIWA 300 AUTOMATIC GUN



SPECIFICATIONS

Maximum fluid pressure: 4350 psi.
 Minimum air pressure: 45 psi.
 Tip thread: 11/16 - 16.
 Hose connection: 1/4" nps.

- Wetted parts: SS,TC,Tef.
- This instruction sheet is only a supplement to your system operating instructions. Read your system manual before operating any high pressure equipment.
- Follow shut down procedure before servicing or cleaning equipment.
- To clean gun: flush the inside by spraying proper solvent, and wipe the exterior. (It is not necessary to disassemble gun components under normal circumstances).



Pos.	Part nos.	Description	Qty.
	L032-018	Wiwa 300 automatic gun	
1	213829	Tip nut	1
2	● ○ L032-502	Washer, nylon	1
3	○ 160989	Valve seat	1
4	● ○ 217824	Aluminum gasket	1
5	478601	Bolt, M6 x 1.0 x 30	2
6	460591	Washer	2
7	210854	Male adaptor	2
8	● ○ 310115	Gasket, copper	2
9	630478	Fluid body, S.S.	1
10	630475	Gland, male	1
11	● ○ 630444	Packing ring	3
14	630473	Packing nut	1
15	630476	Cover ring	1
16	L005-717	Washer	4
17	460125	Bolt, M5 x 0.8 x 10	1
18	460524	Bolt, M6 x 1.0 x 45	2
19	630477	Gun body	1
20	● ○ 310204	U-seal	1
21	○ 630471	Valve needle	1
22	630474	Piston	1
23	● ○ 465720	Seal ring	1
24	L001-525	Lock washer	1
25	9910106	Nut, M5	1
26	410446	Spring	1

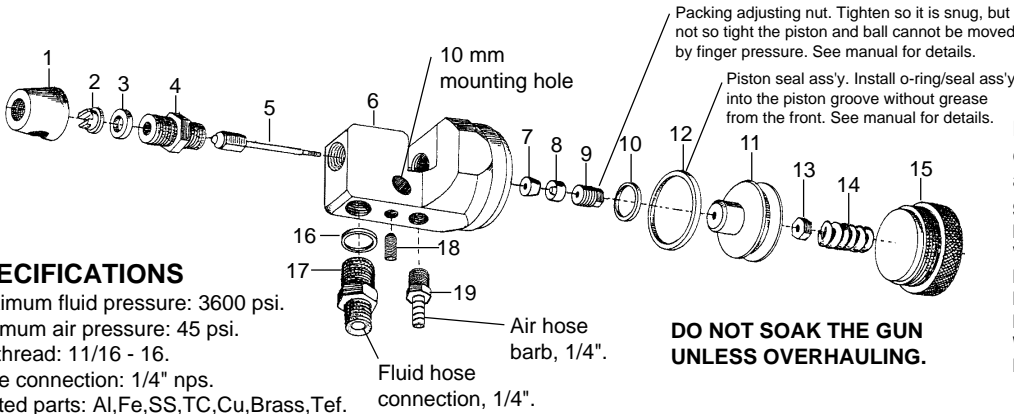
Pos.	Part nos.	Description	Qty.
27	● ○ 311448	O-ring	1
28	630472	Cover, rear	1
30	630480	Bolt, M5 x 0.8 x 25	3
31	212350	Cap nut, 1/4 NPS-F	1
32	410195	Ball, 10mm S.S.	1

- Accessories:**
- 630555 Seal kit 1
 - 630556 Repair kit 1
- Symbols:**
- Seal kit
 - Repair Kit

L-A10 AUTOMATIC GUN

Updated items:remove SS version

May04



SPECIFICATIONS

Maximum fluid pressure: 3600 psi.
 Minimum air pressure: 45 psi.
 Tip thread: 11/16 - 16.
 Hose connection: 1/4" nps.
 Wetted parts: Al,Fe,SS,TC,Cu,Brass,Tef.

- This instruction sheet is only a supplement to your system operating instructions. Read your system manual before operating any high pressure equipment.
- Follow shut down procedure before servicing or cleaning equipment.
- To clean gun: flush the inside by spraying proper solvent, and wipe the exterior. (It is not necessary to disassemble gun components under normal circumstances).

L-A10 automatic. Very light and compact design makes this the most popular automatic. Overhauls are quick and simple.

Specifications:

Maximum pressure	3600 psi
Valve material	tungsten carbide
Hose connection	1/4" nps
Minimum air pressure	45 psi
Mounting hole	3/8"
Wetted parts	Al,Fe, SS,TC,Cu, brass, Tef.
L-A10 automatic gun	L032-020

Pos.	Part nos.	Description	Qty.
	L032-020	Automatic airless gun	
1	L033-900	Tip nut	opt.
2		Tip (state size)	opt.
3	L043-008	Nylon gasket	1
4	L032-503	Seat	1
5	L032-531	Ball assembly	1
6	L032-632	Gun body	1
7	L032-507	Wedge	1
8	L032-508	Packing	1
9	L032-533	Packing nut	1
10	L032-633	Teflon seal ass'y, sml	1
11	L032-634	Piston	1

Pos.	Part nos.	Description	Qty.
12	L032-635	Teflon seal ass'y, lrg	1
13	L032-511	Nut	1
14	L032-636	Spring	1
15	L032-637	Spring cap	1
16	L001-555	Copper seal	1
17	L032-630	1/4" fluid fitting	1
18	L001-503	Set screw, 6mm	1
19	L035-714	Barb fitting, 1/8m x1/4h	1
	L032-631	Metric fitting (discontinued)	
Accessories:			
NS	L032-648	Repair kit consisting of: (Pos.4,5,7,8,10,12,16)	

Specifications subject to change.