

**PARTS LIST & DIAGRAM**

**2-1/4 GALLON PRESSURE POT (HEAVY DUTY 4 CLAMP - ZINC)**

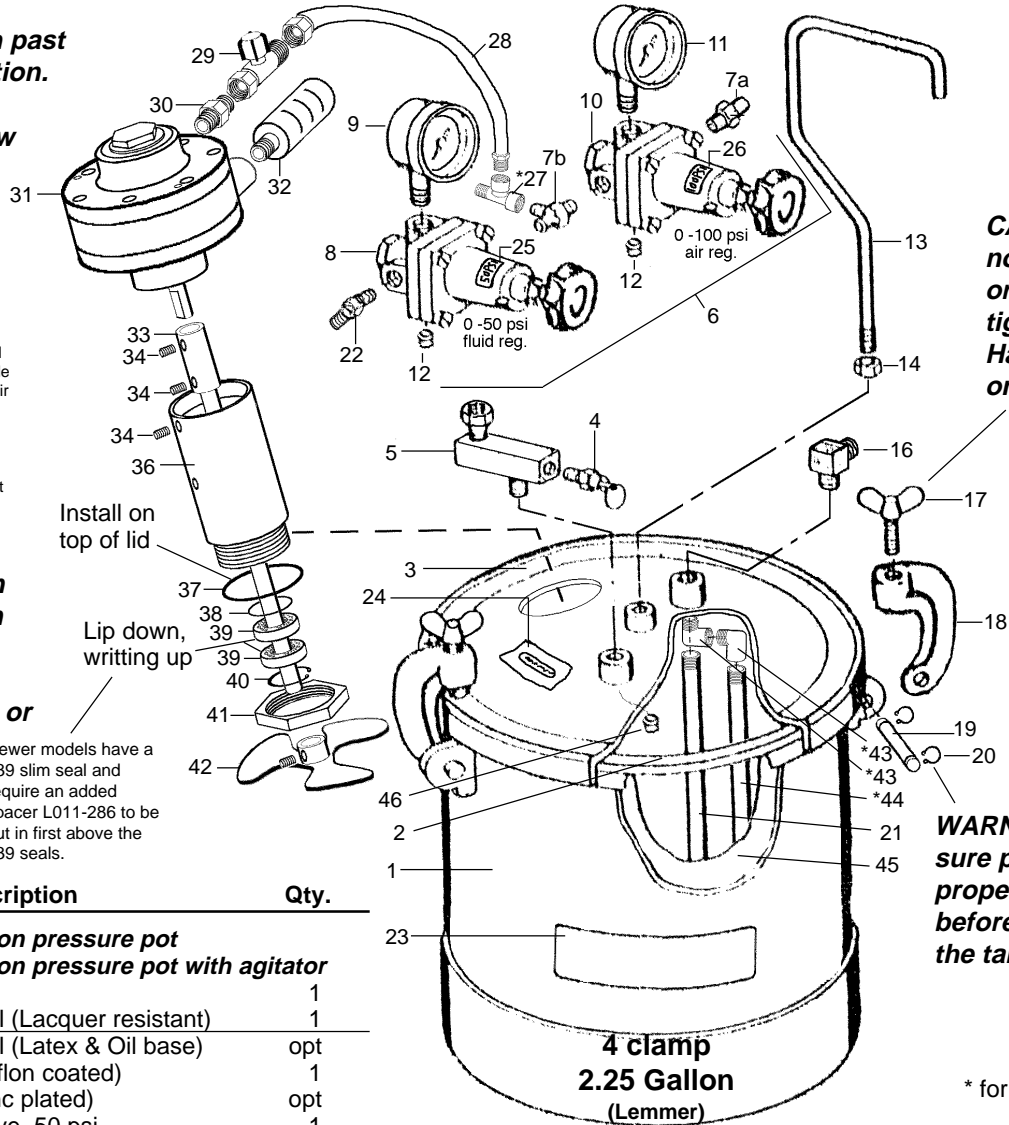
Shown with past agitator option.

**Warning: Never allow pressure in pot to exceed 50 lbs.**

Hint about pressure setting:  
 A good general rule to follow is that if the pot pressure (in a pressure feed environment with 25 ft line) has to be set higher than 15-20 psi to get a decent hand speed, it is best to go to at least one needle size up. At high pot pressures, with ANY air gun, there will be a lot of non-atomized material in the center of the spray pattern. Due to the low aircap pressures of HVLP guns in general, this problem is less pronounced with the A-900, which is why it is suggested for general purpose use.

**CAUTION: Make certain that all pressures within the system are relieved before attempting to remove any component or part of a component.**

Newer models have a #39 slim seal and require an added spacer L011-286 to be put in first above the #39 seals.



**CAUTION: Do not use wrench or pliers to tighten knobs. Hand tighten only.**

**WARNING: Make sure pins are properly fastened before pressurizing the tank!**

Pos.	Part nos.	Description	Qty.
	<b>L011-075</b>	<b>2 1/4 Gallon pressure pot</b>	
	<b>L011-078</b>	<b>2 1/4 Gallon pressure pot with agitator</b>	
1	L011-155	Tank	1
2	L011-156	Cover seal (Lacquer resistant)	1
	L011-153	Cover seal (Latex & Oil base)	opt
3	L011-157T	Cover (Teflon coated)	1
	L011-157C	Cover (Zinc plated)	opt
4	L011-158	Safety valve, 50 psi	1
5	L011-159	Tee fitting with swivel	1
6	L011-194A	Reg. set, dual mini (#7a,7b,8,9,10,11,12)	1
7a	L011-161	Connector, 1/4" (Mini regs)	1
7b	L035-661	Tee, 1/4"M (Mini regs)	1
8	L011-178	Air regulator, 0-60 psi, (Mini)	1
	L011-162	Air regulator, 0-50 psi, Blk T-handle	1
9	L011-192	Air guage, 0-60 psi, 1/8" bottom (Mini regs)	1
	L011-176	Air guage, 0-60 psi, 1/4" bottom	1
	L080-671	Air guage, 0-60 psi, 1/4"&1/8"	opt
10	L011-179	Air regulator, 0-125 psi, (Mini)	1
	L011-163	Air regulator, 0-100 psi, Blk T-handle	1
11	L011-193	Air guage, 0-160 psi, 1/8" bottom (Mini regs)	1
	L011-177	Air guage, 0-100 psi, 1/4" bottom	1
	999048	Air guage, 0-160 psi, back 1/4"	opt
12	L036-070	Plug, 1/8"M (Mini regs)	1
13	L011-164	Handle	1
14	L002-509	Handle lock nut	1
16	L011-167	Outlet elbow, 3/8"MM	1
17	L011-168	Wing nut	4
18	L011-169	Retaining arm	4
19	L011-170	Pin	4
20	L011-171	C-clip	8
21	L011-172	Material tube, 9.25" SS	1
22	L035-571	Elbow, 1/4"M (Mini regs)	1
	L035-561	Plug, 1/4"	1
23	L075-277	Decal, 7.5" Lemmer Logo	1
24	L011-173	Decal, pressure pot settings	1

Pos.	Part nos.	Description	Qty.
25	L014-565	Decal, 50 psi max	1
26	L014-566	Decal, 100 psi max	1
27	L035-691	Tee, 1/4FFM	1
28	L035-715	Coupler, 1/4H x 1/4M	1
	L035-744	Swivel coupler, 1/4H x 1/4F	1
	L035-330	Air hose, 1/4" per foot	.5
29	L011-550	Air flow control valve	1
30	L032-630	1/4" fitting, BSP	1
31	999018	Agitator motor, 3/4 hp	1
32	999013	Muffler	1
33	L011-186	Agitator shaft, 12" chromed	1
34	L015-193	Screw	3
36	L011-181	Agitator adapter	1
37	L011-190	O-ring, teflon	1
38	L011-183	O-ring	1
39	L011-185	Leather seal	2
40	L011-184	Internal snap ring	1
41	L011-182	Locknut, 1-1/4nps	1
42	999021	3.5" chrome propellor	1
43	L036-132	Elbow, 3/8MF	2
44	L011-191	Material tube, 7.5"	1

**Accessories:**

45	L011-586	Pressure pot liner (formed)	opt.
46	L011-166	Anti splash diverter plug	opt.
*	L015-596	Manual Air Spray HVLP & 900	