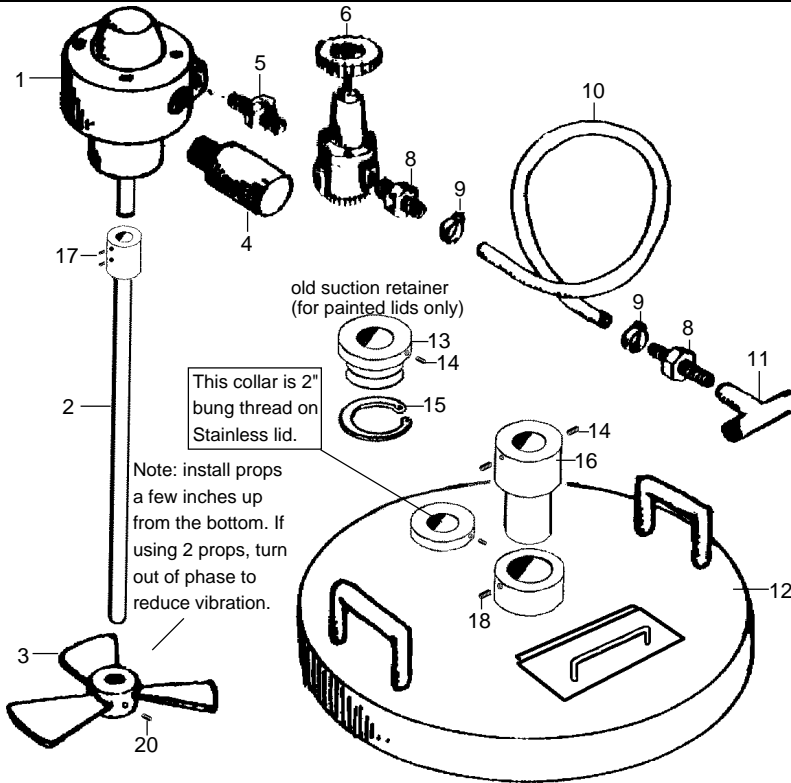
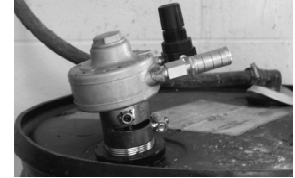


# PARTS LIST & DIAGRAM

## AGITATORS & DRUM LID



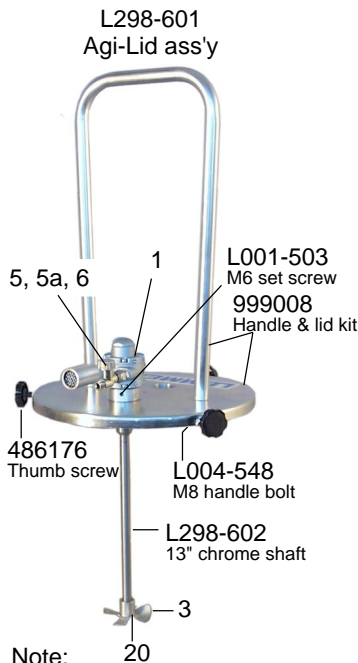
1/3 HP agitator mount for 2" bung or any port hole. Zinc plated steel construction. Parts shown:  
 L090-053 bung adapter  
 L090-075 bung nut, each  
 L002-781 bolt 5/16x1" soc  
 L005-743 bolt 5/16x3/4" hx



3/4 HP agitator angle mount for 2" bung. Zinc plated steel construction.  
 L090-076 angle bung adapter



Agi with hopper.  
 L090-095



Note:  
 The thumb screws are not for lifting the pail. They are only to secure the lid during operation.

| POS. | PART NO. | DESCRIPTION                                  | 1/3 hp agi hopper syst<br>L090-095 | 1/3 hp agitator system<br>L090-093 | 3/4 hp agitator system<br>L090-094 | 55 Gallon SS drum lid<br>L090-090 | 20L Agi Lid Assy.<br>L090-099 |
|------|----------|--|------------------------------------|------------------------------------|------------------------------------|-----------------------------------|-------------------------------|
| 1    | 999017   | 1/3 HP Air Motor c/w Muffer                  | 1                                  | 1                                  |                                    |                                   | 1                             |
|      | 999018   | 3/4 HP Air Motor (Machined)                  |                                    |                                    | 1                                  |                                   |                               |
| 2    | 999019   | 13" Shaft (1/3hp)                            | 1                                  | 1                                  |                                    |                                   |                               |
|      | 999020   | 33" Shaft, SS (3/4hp)                        |                                    | 1                                  |                                    |                                   |                               |
|      | 999053   | 13" Shaft Extension (3/4hp)                  |                                    |                                    |                                    |                                   |                               |
| 3    | 999022   | 2.75" Stainless Steel Prop                   | 1                                  | 1                                  |                                    |                                   | 1                             |
|      | 999025   | 6" Stainless Steel folding Prop              |                                    |                                    | 2                                  |                                   |                               |
| 4    | 999013   | 3/4 HP Air Motor Muffer                      |                                    |                                    | 1                                  |                                   |                               |
|      | 999149   | 1/3 HP Air Motor Muffer                      |                                    | 1                                  |                                    |                                   | 1                             |
| 5    | L035-510 | Connector (1/4"M x 1/8"M)                    |                                    | 1                                  |                                    |                                   | 1                             |
| 5a   | L035-501 | Connector (1/4"M)                            | 2                                  |                                    | 1                                  |                                   | 1                             |
| 6    | L011-179 | Mini Regulator                               | 1                                  | 1                                  | 1                                  |                                   | 1                             |
| 8    | L035-713 | Coupler (3/16"H x 1/4"M)                     |                                    | 2                                  |                                    |                                   |                               |
|      | L014-577 | Coupler push-in (3/16"H x 1/4"M)             | 2                                  |                                    |                                    |                                   |                               |
| 9    | L035-200 | O-Clamp (5/16")                              |                                    | 2                                  |                                    |                                   |                               |
| 10   | L035-311 | Nylon Tubing/Ft. (3/16" I.D.)                | 3                                  | 2                                  |                                    |                                   |                               |
| 11   | L035-641 | Tee (1/4"F)                                  | 1                                  | 1                                  | opt                                |                                   |                               |
|      | L035-571 | Elbow 1/4M                                   | 1                                  |                                    |                                    |                                   |                               |
| 12   | L090-090 | 205L Drum Lid - plated                       |                                    |                                    |                                    |                                   |                               |
| 13   | L090-053 | Bung adapter                                 | 1                                  |                                    |                                    |                                   |                               |
|      | L090-075 | Bung nut                                     | 2                                  |                                    |                                    |                                   |                               |
|      | 999142   | U-Pump Lid Adapter (not req'd with SS lid)   |                                    |                                    |                                    |                                   |                               |
|      | 999141   | Lid Suction Retainer (not req'd with SS lid) |                                    |                                    |                                    |                                   |                               |
| 14   | 999151   | Set Screw (5/16-NC x 3/8")                   |                                    |                                    |                                    |                                   |                               |
| 15   | 999143   | Snap Ring                                    |                                    |                                    |                                    |                                   |                               |
| 16   | 999033   | Steady Bearing (For 3/4 HP Air Motor)        |                                    |                                    |                                    |                                   | opt                           |
| 17   | L015-193 | Set Screw (1/4-NC x 1/4")                    | 1                                  |                                    |                                    |                                   |                               |
| 18   | 999170   | Set Screw (1/2-NC x 1/2")                    |                                    |                                    |                                    |                                   | 1                             |
| 20   | L298-605 | Set Screw, M6 SS (6" fold props-alt=999152)  |                                    |                                    |                                    |                                   | 2                             |
|      | L298-607 | Set Screw, M8 SS (2.75" props-alt=L015-193)  |                                    | 1                                  |                                    |                                   | 1                             |

Specifications subject to change.