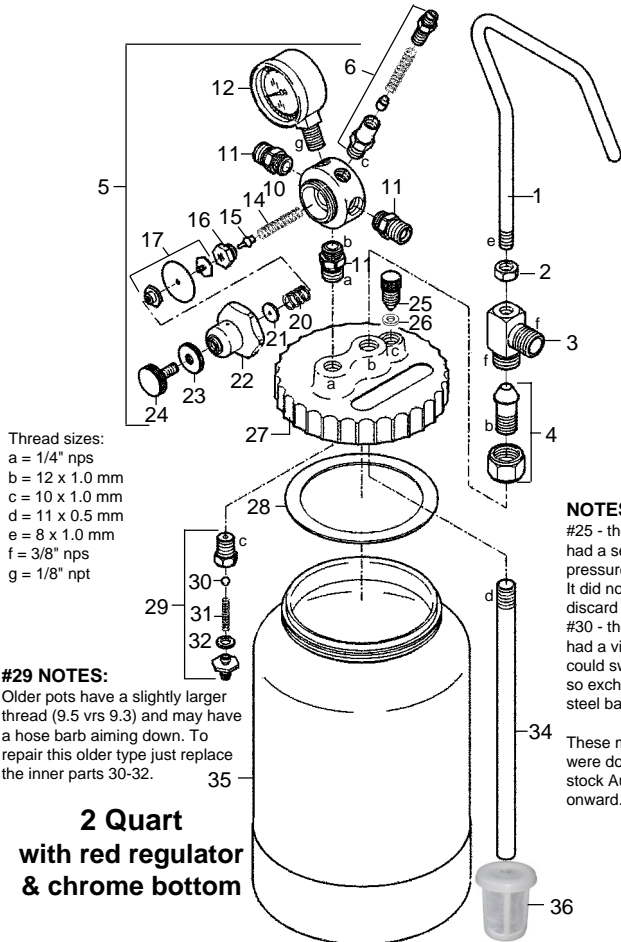


2 QUART PRESSURE POT

Warning: Never allow pressure in pot to exceed 50 lbs.



Thread sizes:
 a = 1/4" nps
 b = 12 x 1.0 mm
 c = 10 x 1.0 mm
 d = 11 x 0.5 mm
 e = 8 x 1.0 mm
 f = 3/8" nps
 g = 1/8" npt

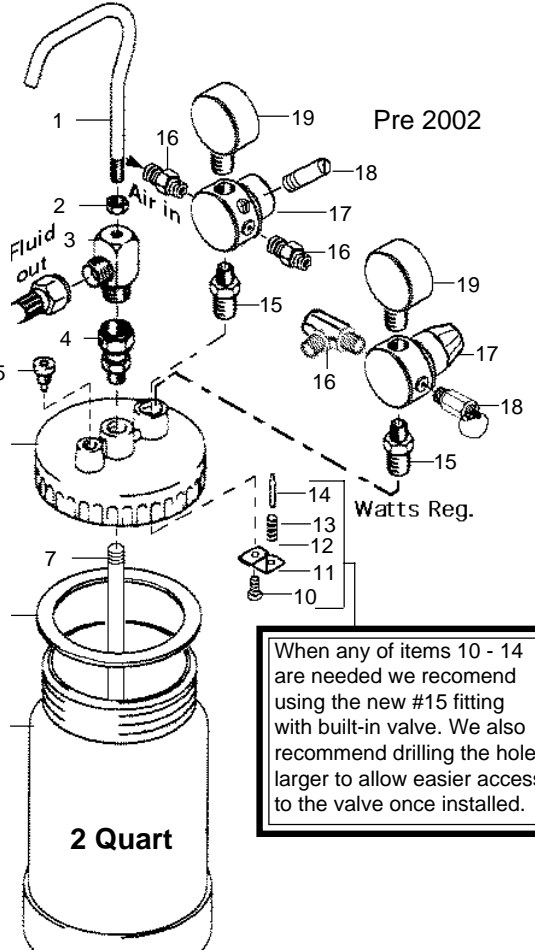
#29 NOTES:

Older pots have a slightly larger thread (9.5 vrs 9.3) and may have a hose barb aiming down. To repair this older type just replace the inner parts 30-32.

NOTES:

#25 - the first batch had a seal below the pressure release knob. It did nothing so simply discard it.
 #30 - the first batch had a viton valve. It could swell with MEK so exchange it for the steel ball.

These modifications were done in Calgary stock Aug-01-02 and onward.



When any of items 10 - 14 are needed we recommend using the new #15 fitting with built-in valve. We also recommend drilling the hole larger to allow easier access to the valve once installed.

Pos.	Part nos.	Description	Qty.
L080-200 2 Qt remote pot, red regulator			
1	L080-210	Handle	1
2	L080-211	Handle lock nut	1
3	L080-212	Outlet tee	1
4	L080-213	Connector, 2pc	1
5	L080-214	Air regulator complete (6-24)	1
6	L080-635	Safety valve, mini	1
10	L080-219	Regulator body	1
11	L080-220	Connector	3
12	L080-221	Guage 0-60 psi, btm 1/8, chrome	1
14	L080-222	Spring	1
15	L080-223	Valve	1
16	L080-224	Valve housing	1
17	L080-225	Diaphragm complete	1
20	L080-231	Spring	1
21	L080-232	Brass, spring retainer	1
22	L080-233	Regulator housing cover, red	1
23	L080-234	Locking nut, thumb wheel	1
24	L080-235	Regulator knob	1
25	L080-236	Pressure release knob	1
26	L080-237	Seal	1
27	L080-238	Lid	1
28	L080-242	Gasket, EDPM (alt L080-663/239)	1
29	L080-240	Air check valve 9.3mm OD thr, newer	1
	NLA	Air check valve 9.5mm OD thr, older	
30	L080-892	Check valve steel ball	opt
31	L080-243	Check valve spring	1
32	L080-244	Check valve seal	1
34	L080-246	Fluid tube (opt stainless L080-249)	1
35	L080-247	Cup, 2Q. (opt teflon coated L080-248)	1

Accessories:

	L080-990	Manual for 2 quart remote	
36	L011-587	Suction filter, 170m, 3.8D x 4.2H cm	

Pos.	Part nos.	Description	Qty.
NLA 2 quart pressure pot			
1	L080-620	Handle	1
2	L080-621	Nut	1
3	L080-622	Outlet tee	1
4	L080-623	Connector, 3/8 x 11 mm	1
	L080-639	Connector, 3/8 x 10 mm (old style T60)	1
5	L080-624	Pressure release screw	1
	L080-638	Press. release screw (old style fine thr.)	1
6	L080-625	Cover	1
	L080-637	Cover (old style 10mm fluid outlet)	1
7	L080-626	Fluid tube	1
8	L080-663	Gasket Foam (alt L080-242/239)	1
9	L080-627	Cup, two quart	1
10	L080-634	Screw	1
11	L080-632	Bracket - NLA	1
12	L080-631	Washer	1
13	L080-630	Spring	1
14	L080-633	Valve stem	1
15	L080-693	Connector with valve, 1/8 x machine	1
16	L035-510	Connector, 1/8 x 1/4	2
	L035-661	Tee, 1/4m (Watts reg)	1
	L035-550	Plug, 1/8 (optional for HVLP use)	
17	L011-178	Air regulator, 0-60 psi, Watts	1
	L080-629	Air regulator, 0-60 psi	1
18	L011-158	Safety valve, 50 psi (Watts reg)	1
	L080-635	Safety Valve, mini	1
19	L011-192	Air gauge 0-60 psi, bottom 1/8"	1
	L080-671	Air gauge, 0-60 psi, back 1/4"	1

Accessories:

	L080-990	Manual for 2 quart remote	
	L011-173	Decal, pressure pot settings	
	L075-276	Decal, Lemmer 5" gold logo	
	L080-931	Decal, clean me	