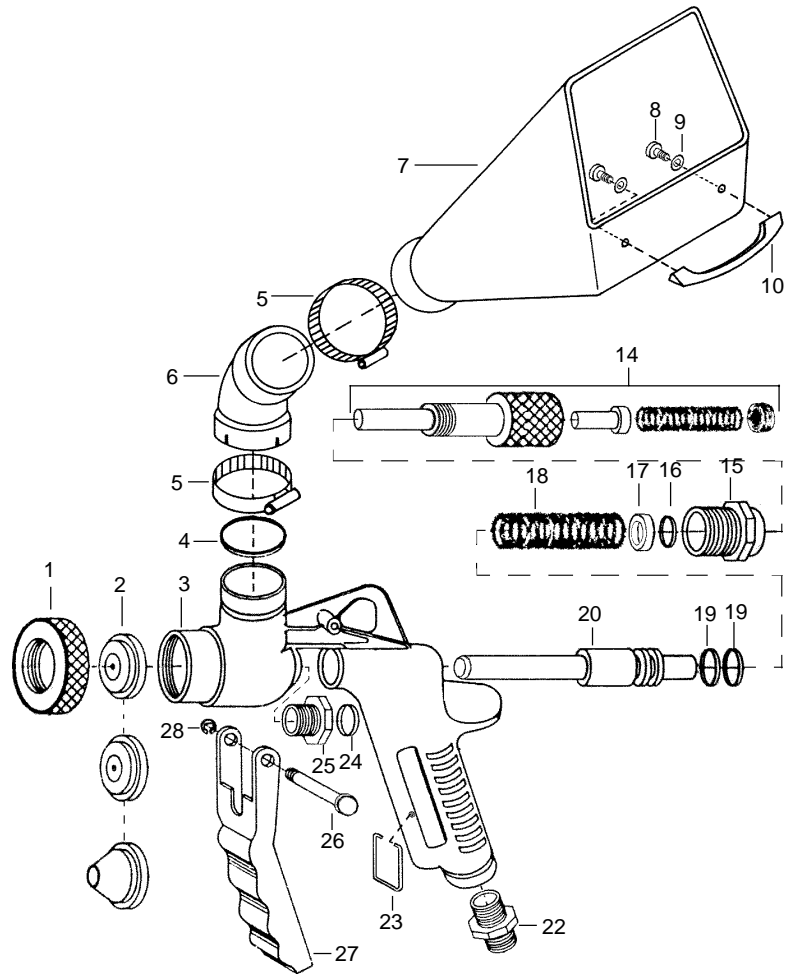


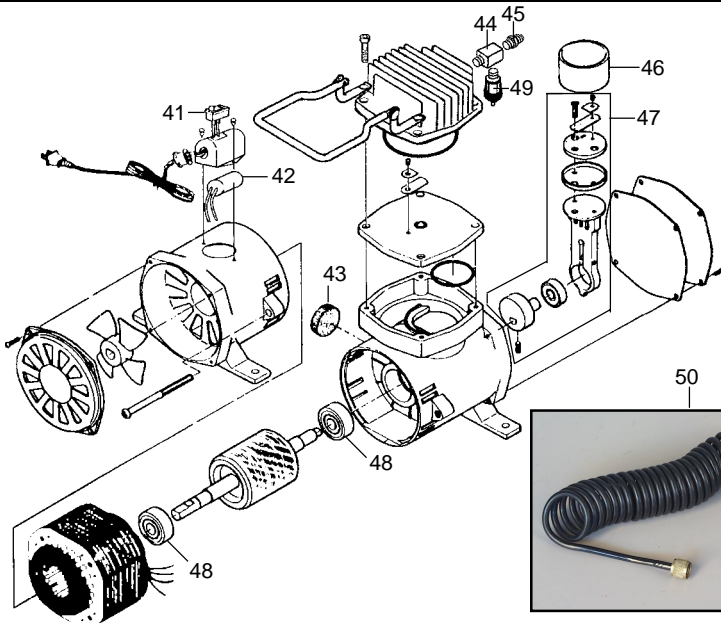
Pos.	Part nos.	Description	Qty.
	L011-056	A-470 tex spray gun (rnd. hopper)	
	L011-055	WSL (A-470 tex spray gun, sq. hopper)	
1	L011-730	Retaining ring, coarse thread (sq.)	1
	L011-768	Retaining ring, fine thread (rnd.)	1
2	L011-731	Nozzle, 4.0mm	1
	L011-761	Nozzle, 4.0mm (hardened steel)	opt
	L011-732	Nozzle, 6.0mm	1
	L011-762	Nozzle, 6.0mm (hardened steel)	opt
	L011-733	Nozzle, 8.0mm	1
	L011-763	Nozzle, 8.0mm (hardened steel)	opt
3	L011-734	Gun body, tex gun (sq., metal body)	1
	L011-769	Gun body, tex gun (rnd., red body)	1
4	L011-735	O-ring, 36 x 3 (square hopper)	1
	L011-790	O-ring, 32 x 2.5 (round hopper)	1
5	L035-223	Screw clamp, 2.5"	1
6	L011-736	Hopper elbow, 45° x 1.5" M-F (sq.)	1
	L011-767	Hopper elbow, 45° x 1.25" M-F (rnd.)	1
7	L011-737	Hopper, 1.75 gallon (sq.)	1
	L011-791	Hopper, 1.25 gallon (rnd.)	1
8	L011-738	Screw (sq. only)	2
9	L011-739	Washer (sq. only)	2
10	L011-740	Handle (sq. only)	1
14	L011-744	Adjustment knob ass'y	1
15	L011-745	Threaded cap	1
16	L011-746	O-ring (sq.)	1
	L011-792	O-ring 8.0 x 2.0 (rnd.)	1
	L015-826	O-ring 8.6 x 2.0 (rnd.) Viton upgrade	alt
17	L011-747	Spacer, brass (sq.)	1
	L011-793	Washer, copper 10.5 x 14 x 1.1 (rnd.)	1
	310263	Washer, copper 10 x 14 x 1.0 (rnd.)	alt
18	L011-748	Spring, large	1
19	L011-749	O-ring	2
20	L011-750	Needle	1
22	L011-751	Air inlet fitting (sq. only)	1
23	L011-752	Trigger clip	1
24	L011-753	O-ring	1
25	L011-754	Needle guide (square hopper vrs only)	1
26	L011-755	Trigger axle	1
27	L011-756	Trigger	1
28	L011-757	C-clip	1

Accessories:

L011-758	Manual, Texture gun	1
----------	---------------------	---



MC-80 MINI AIR COMPRESSOR



Pos.	Part nos.	Description	Qty.
	L011-058	MC-80 Mini Air Compressor	
41	L011-591	Rocker switch	1
42	L011-592	Condenser	1
43	L011-593	Air intake filter	1
44	L011-598	Air distribution block	1
45	L015-539	1/4" air connector	1
46	L011-595	Cylinder	1
47	L011-596	Connecting rod set	1
48	L011-597	Bearing	2
49	L011-594	Air relief valve	1

Accessories:

50	L011-496	Coiled air hose ,1/4F-1/8Fbsp	1
----	----------	-------------------------------	---



Specifications subject to change.