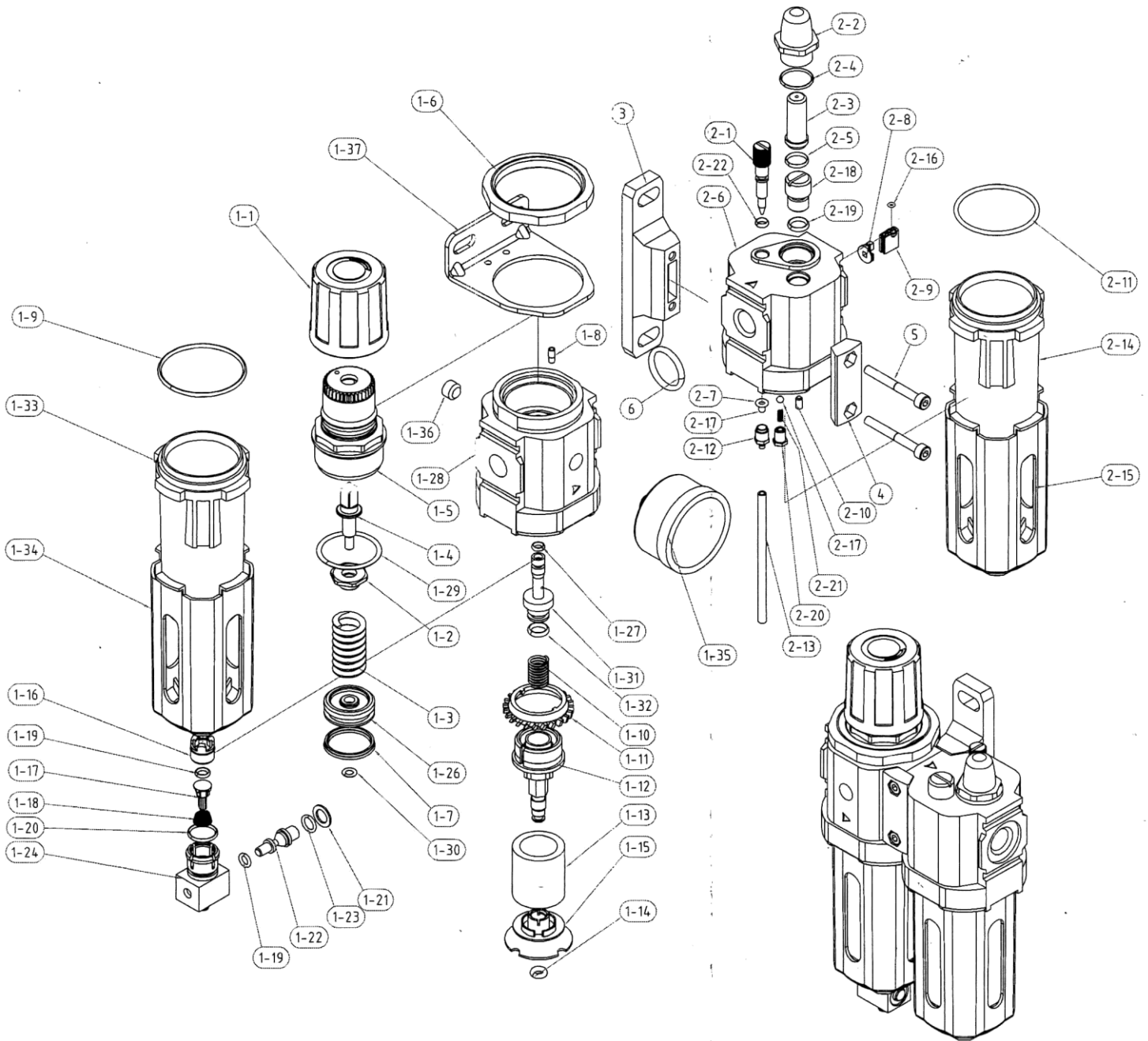


LEMMER

Frl 1/4"
L090-309

Use pneumatic oil with this
Lubricator
L034-121 pneumatic oil 1L



ITEM QTY	DESCRIPTION	ITEM QTY	DESCRIPTION	ITEM QTY	DESCRIPTION	ITEM QTY	DESCRIPTION	ITEM QTY	DESCRIPTION				
1	1	MAFR300	1-16	1	PIPE	1-33	1	CASE	2-11	1	O-RING		
1-1	1	HADLE	1-17	1	DRAIN VALVE	1-34	1	CASE GUARD	2-12	1	CHECK VAL. BODY		
1-2	1	SPR.RESTRAINER	1-18	1	DRAIN VALVE SPRING	1-35	1	PRESSURE GAUGE	2-13	1	SIPHON TUBE		
1-3	1	ADJUST.SPRING	1-19	2	O-RING	1-36	1	PLUG	2-14	1	CASE		
1-4	1	ADJ.SCREW	1-20	1	O-RING	1-37	1	BRACKET	2-15	1	CASE GUARD		
1-5	1	BONNET	1-21	1	RING	2	1	MAL300	2-16	1	O-RING		
1-6	1	QWEXFCC	1-22	1	PUSH BUTTON	2-1	1	NEEDLE VALVE	2-17	2	BALL		
1-7	1	PISTON PACKING	1-23	1	O-RING	2-2	1	OUTER DOME	2-18	1	FEED PLUG		
1-8	1	SUCTION PIPE	1-24	1	DRAIN VAL.BODY	2-3	1	INNER DOME	2-19	1	O-RING		
1-9	1	O-RING	1-26	1	PISTON	2-4	1	O-RING	2-20	1	AIR NOZZLE		
1-10	1	VALVE SPRING	1-27	1	O-RING	2-5	1	O-RING	2-21	1	C.VALVE.SPR.		
1-11	1	DEFLE CTOR	1-28	1	BODY	2-6	1	BODY	2-22	1	O-RING		
1-12	1	VALVE SUPPORT	1-29	1	O-RING	2-7	1	O-RING	3	1	T BRACKET		
1-13	1	ELEMENT	1-30	1	O-RING	2-8	1	FLOW GUIDE	4	1	ATTACHMENT		
1-14	1	O-RING	1-31	1	VALVE	2-9	1	FLOWGUIDE HDR	5	2	Hexagon Socket Head Cap Screw		
1-15	1	BAFFLE	1-32	1	O-RING	2-10	1	SCREW					
											6	1	O-RING