

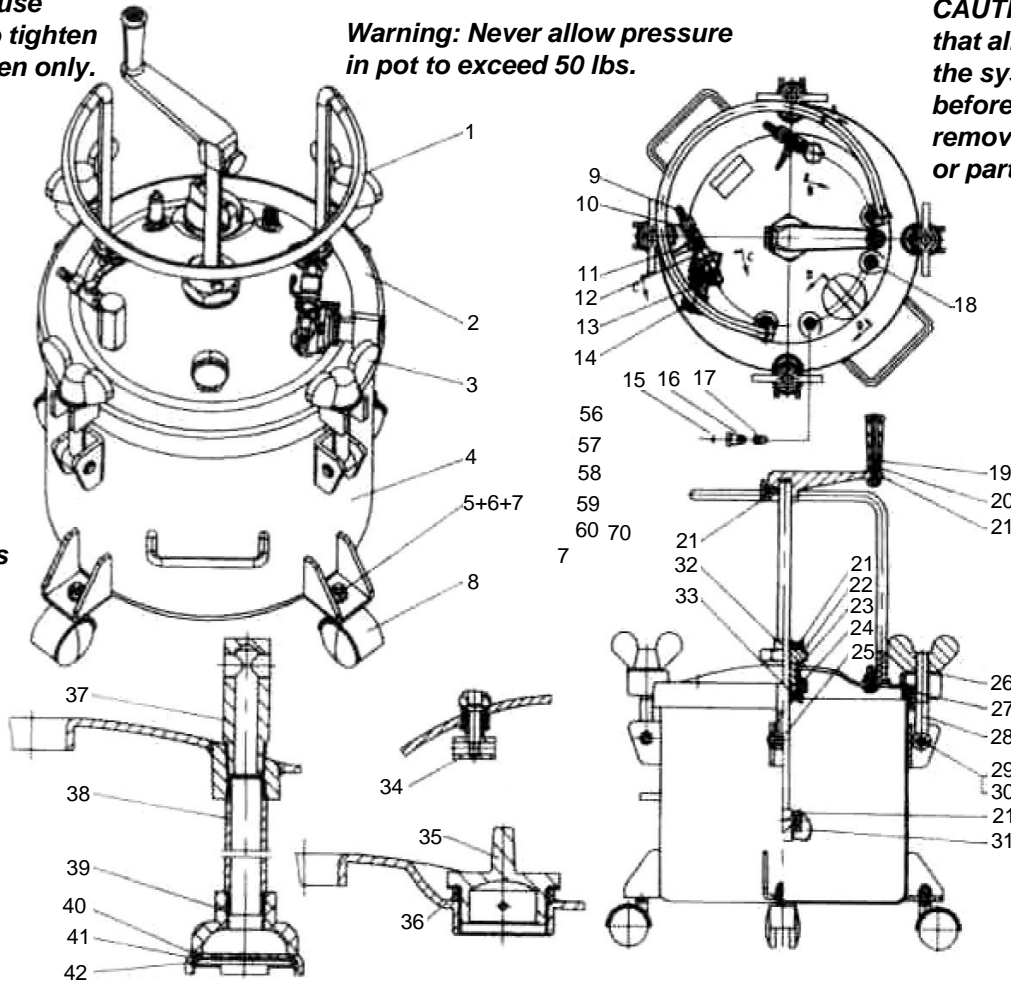
5 GALLON PRESSURE POT (TEFLON GREY)

CAUTION: Do not use wrench or pliers to tighten knobs. Hand tighten only.

Warning: Never allow pressure in pot to exceed 50 lbs.

CAUTION: Make certain that all pressures within the system are relieved before attempting to remove any component or part of a component.

WARNING: Make sure nuts and bolts are properly tightened before pressurizing the tank!



WARNING: Failure to follow instructions on proper assembly and use of a paint tank may possibly result in damage to property or personal injury. This unit must be assembled as indicated in these instructions. Only those parts supplied with this unit should be used. These parts are safety performance engineered. Any substitutions may be counter-protective and dangerous.

Pos.	Part nos.	Description	Qty.	Pos.	Part nos.	Description	Qty.
	L011-084	5 Gallon P.Pot w/Man Agitator RP460					
	L011-086	5 Gallon P.Pot w/Man Agitator					
1	L011-	Handle	1	21	L011-	Connect seat	1
2	L011-	Cover	1	22	L011-	Bolt	1
3	L011-	Wing nut	1	23	L011-	Location seat	1
4	L011-	Tank	1	24	L011-	Sealing ring	1
5	L011-	Nut	4	25	L011-	Nut	1
6	L011-	Spring washer	4	26	L011-	Rocker	1
7	L011-	Flat washer	4	27	L011-360	COVER SEAL, 5G GREY LAQ	1
8	L011-	Wheel	4	28	L011-	Sealing ring	1
9	L011-	Air hose connector	1	29	L011-	Screw	1
10	L011-	Connector nut	1	30	L011-	Snap retainer	1
11	L011-	Air valve	1	31	L011-	Pin	1
12	L011-	Air inlet seat	1	32	L011-	Blade	1
13	L011-	Regulator connector	1	33	L011-	Bolt	1
14	L011-	Adjuster assembly	1	34	L011-	Location ring	1
15	L011-	O-ring 4.5 x 1.8	1	35	L011-	Air commulotor	1
16	L011-	Bolt	1	36	L011-361	Sealing washer	1
17	L011-	Air relief seat	1	37	L011-	Sealing washer	1
18	L011-	Safe valve assembly	1	38	L011-	Paint outlet	1
19	L011-	Handle	1	39	L011-	Filter seat	1
20	L011-	Screw	1	40	L011-	Filter washer	1
				41	L011-375	Filter	1
				42	L011-	Filter spring	1

L011-331 SS Inner tank 20L