

### 2-1/4 GALLON PRESSURE POT (HD 4 CLAMP GREY TEFLON)

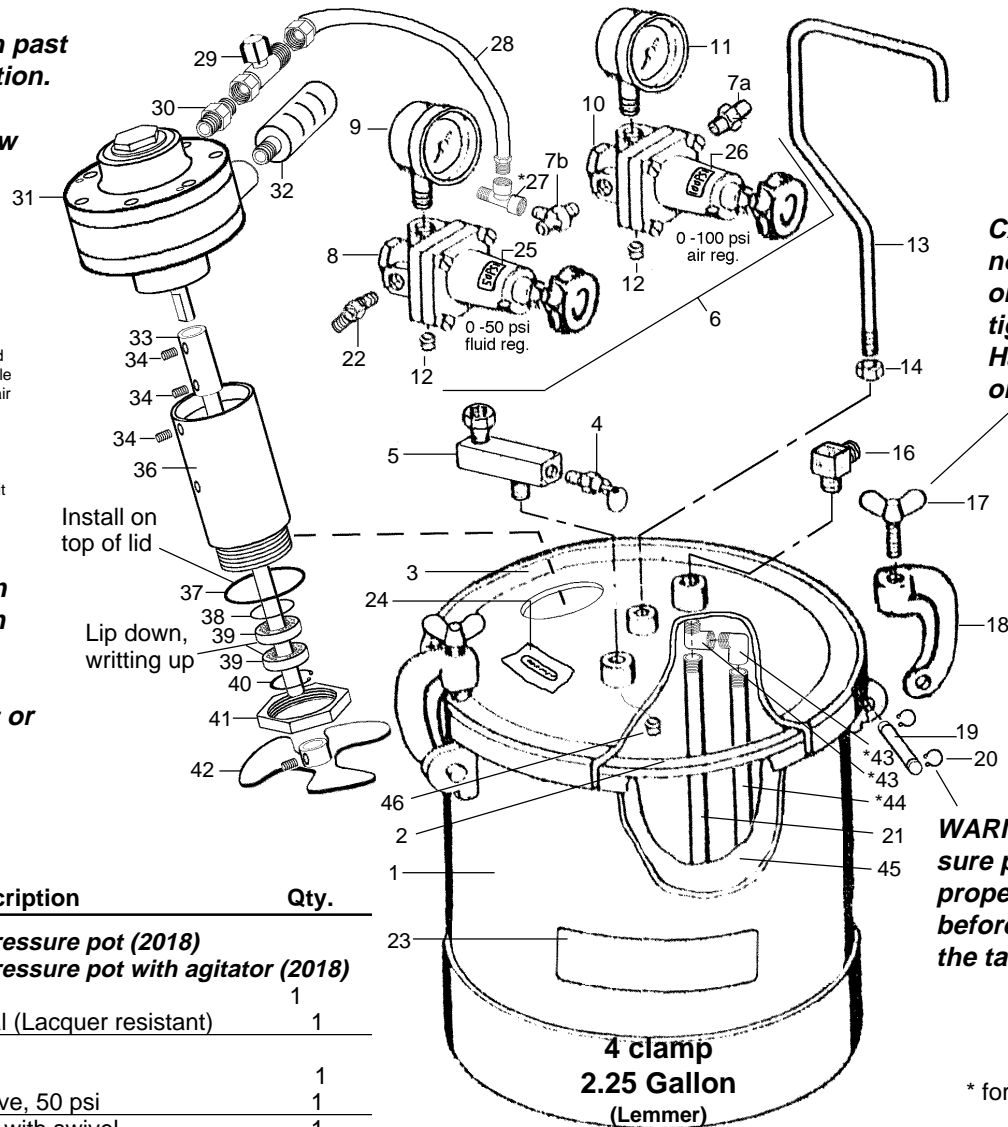
*Shown with past agitator option.*

**Warning: Never allow pressure in pot to exceed 50 lbs.**

**Hint about pressure setting:**

A good general rule to follow is that if the pot pressure (in a pressure feed environment with 25 ft line) has to be set higher than 15-20 psi to get a decent hand speed, it is best to go to at least one needle size up. At high pot pressures, with ANY air gun, there will be a lot of non-atomized material in the center of the spray pattern. Due to the low aircap pressures of HVLP guns in general, this problem is less pronounced with the A-900, which is why it is suggested for general purpose use.

**CAUTION: Make certain that all pressures within the system are relieved before attempting to remove any component or part of a component.**



**CAUTION: Do not use wrench or pliers to tighten knobs. Hand tighten only.**

**WARNING: Make sure pins are properly fastened before pressurizing the tank!**

\* for agitator version

Pos.	Part nos.	Description	Qty.
<b>L011-075 2 1/4 G pressure pot (2018)</b>			
<b>L011-078 2 1/4 G pressure pot with agitator (2018)</b>			
1	N/A	Tank	1
2	L011-156	Cover seal (Lacquer resistant)	1
3	N/A	Cover	1
4	L011-158	Safety valve, 50 psi	1
5	L011-159	Tee fitting with swivel	1
6	L011-194A	Reg. set, dual mini (#7a,7b,8,9,10,11,12)	1
7a	L011-161	Connector, 1/4"	1
7b	L035-661	Tee, 1/4"M	1
8	L011-178	Air regulator, 0-60 psi	1
9	L011-192	Air guage, 0-60 psi, 1/8" bottom	1
10	L011-179	Air regulator, 0-125 psi	1
11	L011-193	Air guage, 0-160 psi, 1/8" bottom	1
12	L036-070	Plug, 1/8"M	1
13	L011-357	Handle	1
14	L011-358	Handle lock nut	1
16	L011-167	Outlet elbow, 3/8"MM	1
17	L011-352	Wing nut	4
18	L011-353	Retaining arm	4
19	L011-354	Pin	4
20	L011-355	C-clip	8
21	L011-356	Material tube, 9.3" SS	1
22	L035-571	Elbow, 1/4"M	1
	L035-561	Plug, 1/4"	1
23	L075-277	Decal, 7.5" Lemmer Logo	1
24	L011-173	Decal, pressure pot settings	1
25	L014-565	Decal, 50 psi max	1
26	L014-566	Decal, 100 psi max	1
27	L035-691	Tee, 1/4FFM	1

**Accessories:**

45	L011-590	Pressure pot liner (formed)	opt.
*	L015-603	Manual P.Pot	