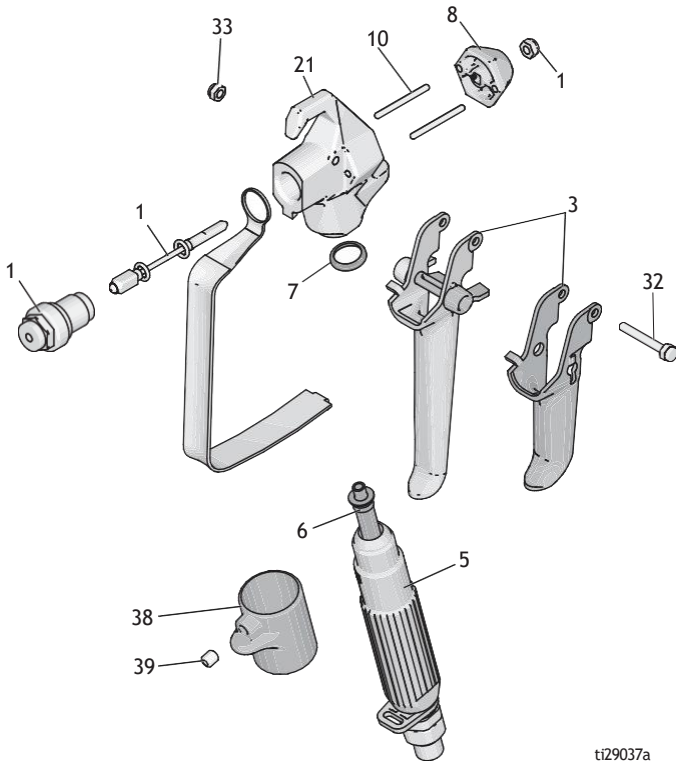


L-28G Gun (L032-003)



ti29037a

Ref.	Part	Description	Qty.	Ref.	Part	Description	Qty.
1	288817	DIFFUSER/SEATKIT 1 (includes 1a, 1b, 1c)		21	17M269	HOUSING, fluid (includes 7)	1
3	255126	TRIGGER, 4 finger	1	32	177538	STUD, trigger	1
4	195495	GUARD, trigger	1	33	105334	NUT, lock, hex	1
5	17M532	HANDLE, gun	1	38	15K101	GUARD, 2 finger (with 1 2 finger trigger only)	
6	L032-516	FILTER, mesh 50	1	39	100002	SCREW, set (with 2 finger trigger only)	
	L032-517	FILTER, mesh 100	opt				
	L032-518	FILTER, mesh 200	opt				
7	179733	SEAL, sleeve	1				
8	195395	CAP, end	1				
10	115484	PIN, actuator	2				