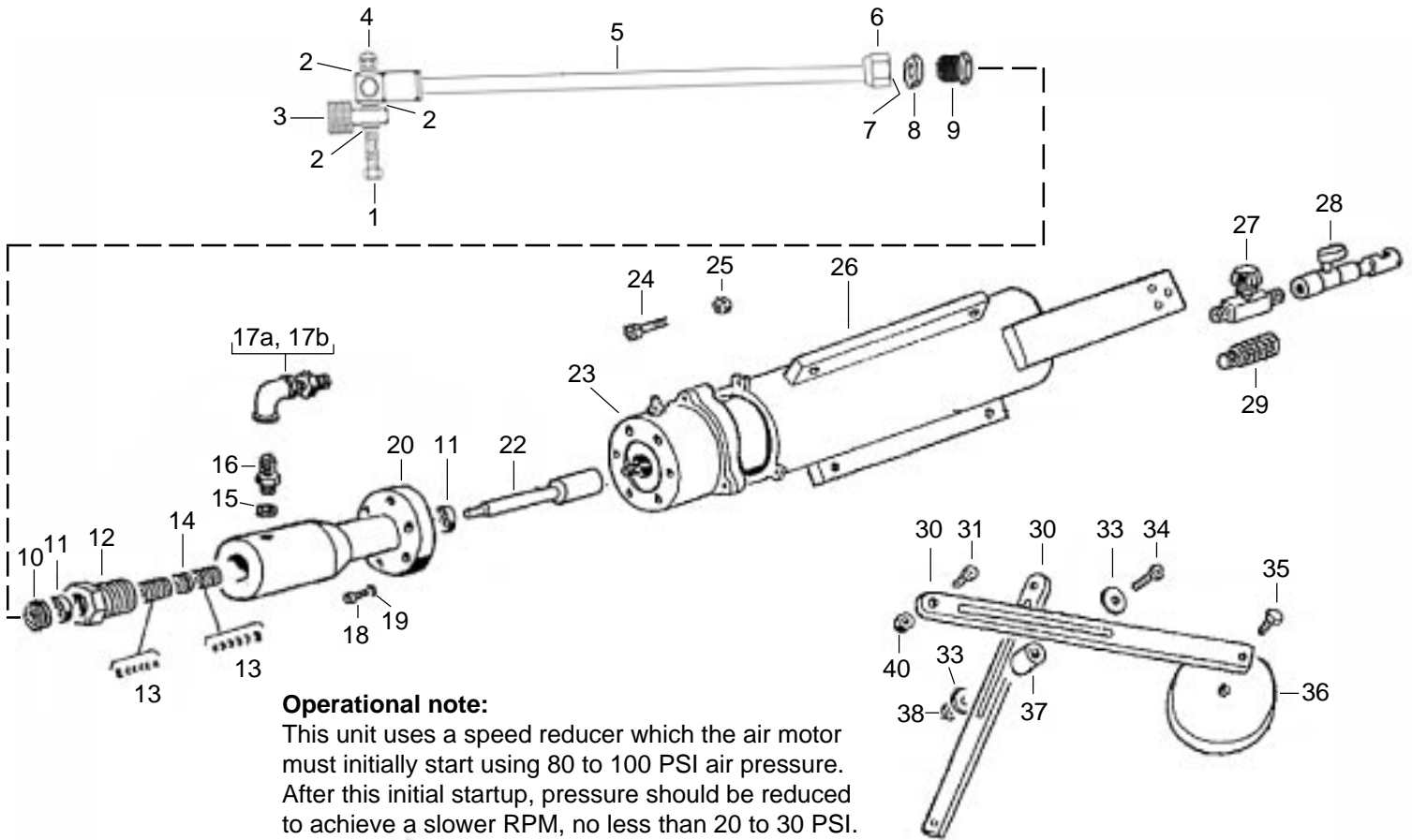


PIPE ROTARY SPRAY BLOCK



Operational note:

This unit uses a speed reducer which the air motor must initially start using 80 to 100 PSI air pressure. After this initial startup, pressure should be reduced to achieve a slower RPM, no less than 20 to 30 PSI.

Pos.	Part nos.	Description	Qty.	Pos.	Part nos.	Description	Qty.
	L033-571	Pipe Rotary Spray Block (10" - 27")					
1	L033-905	Hollow bolt	1	18	L033-717	Bolt, socket head	6
2	L033-907	Nylon seal	3	19	L002-562	Lockwasher	6
3	L033-908	Swivel fitting, L-thread	1	20	L033-708	Main housing	1
	L033-912	Swivel fitting, G-thread	1	22	L033-709	Output shaft	1
4	L033-906	Cap nut	1	23	L033-710	Air motor w/speed reducer	1
5	L033-023	0.2M extension assembly	1	24	L033-716	Bolt	3
6	L033-900	Tip nut, L-thread	1	25	L032-549	Nut, self locking	3
7	L033-901	Tube nipple (not shown)	1	26	L033-711	Gun frame	1
8	L043-008	Nylon gasket	1	27	L033-712	Needle valve, 1/4"	1
9	L033-910	Connector fitting, L thread	1	28	L033-701	Ball valve, 1/4 MF	1
10	L033-704	Retaining nut, bearing	1	29	L014-562	Air muffler	1
11	L033-705	Bearing	2	30	L033-713	Support arm	6
12	L033-706	Nut, packing	1	31	L014-502	Bolt	6
13	L033-703	Packing sets, front & back	1	33	L033-715	Flat washer	6
14	L033-707	Spacer, packing	1	34	L001-582	Bolt, soc (M8 x 35)	3
15	L001-555	Seal, copper	1	35	L033-700	Bolt	6
16	L032-603	Fitting, 1/4 NPS	1	36	L033-714	Wheel, nylon 80mm dia.	6
17a	L036-211	Swivel, 1/4MF (use with 17b)	1	37	L033-718	Spacer	3
17b	L036-271	Swivel elbow, 1/4 MF (use with 17a)	1	38	L014-521	Nut, self locking, M8	3
				40	L033-702	Nut	6

Accessories:

30	L033-572	48" arm kit for pipe 27"-48"	opt
----	----------	------------------------------	-----