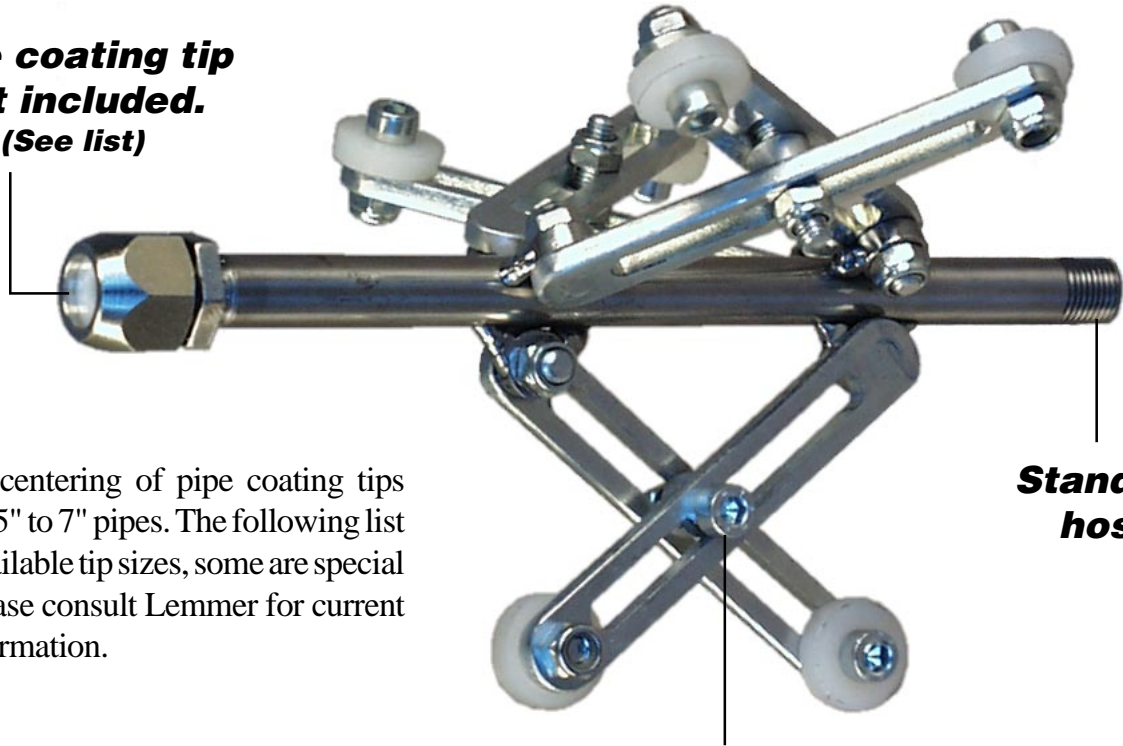


Centering Block for Pipe Tips

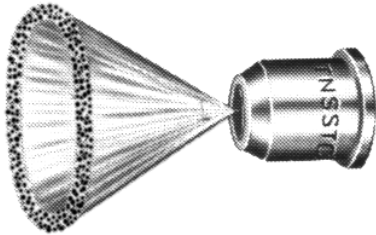
**Pipe coating tip
not included.
(See list)**



**Standard 1/4" nps
hose hookup.**

For easy centering of pipe coating tips inside 3.25" to 7" pipes. The following list shows available tip sizes, some are special order, please consult Lemmer for current stock information.

**Three roller arms
adjust to any pipe
from 3.25" to 7" ID.**



Available tip sizes:

- Cone tip, .80 (.010-3") L033-550
- Cone tip, .90 (.010-3") L033-551
- Cone tip, 1 (.011-3.5") L033-552
- Cone tip, 1.5 (.013-3.5") L033-553
- Cone tip, 2 (.015-4.5") L033-554
- Cone tip, 3 (.018-6") L033-555
- Cone tip, 4 (.021-8") L033-556
- Cone tip, 6 (.026-10") L033-557
- Cone tip, 8 (.029-12") L033-558
- Cone tip, 9 (.031-14") L033-559
- Cone tip, 10 (.033-16") L033-560
- Cone tip, 12 (.036-18") L033-561

Centering Block Specifications

Max. pressure	4000 psi
For pipe sizes	3.25" to 7"
Inlet thread	1/4" npt
Order number	L033-570

LEMMER SPRAY SYSTEMS LTD.

4624 - 12th Street N.E. Calgary, Alberta, Canada. T2E 4R4
Tel: (403)250-7735 • Fax: (403)291-9095 • www.lemmer.com

Sales and Service Centres Across Canada. Oct-2010

VANCOUVER
tel: (604) 430-3216
fax: (604) 430-8017

• **CALGARY**
tel: (403) 250-7735
fax: (403) 291-9095

• **EDMONTON**
tel: (780) 486-3674
fax: (780) 444-2498

• **TORONTO**
tel: (905) 673-1555
fax: (905) 673-3201

• **MONTRÉAL**
tel: (450) 681-8220
fax: (450) 681-4914